

AX9

HIGH VOLTAGE DC CAPACITORS

HIGH VOLTAGE METALLIZED POLYPROPYLENE
TAPE WRAP AND EPOXY FILL CASE
CUSTOM DESIGN AVAILABLE.



MAIN CHARACTERISTICS:

- SELF-HEALING METALLIZED POLYPROPYLENE FILM
- TAPE WRAP AND EPOXY FILL CASE
- EPOXY FILLING

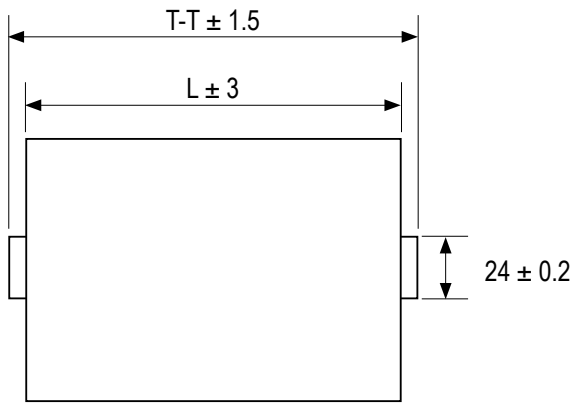


MAIN APPLICATIONS:

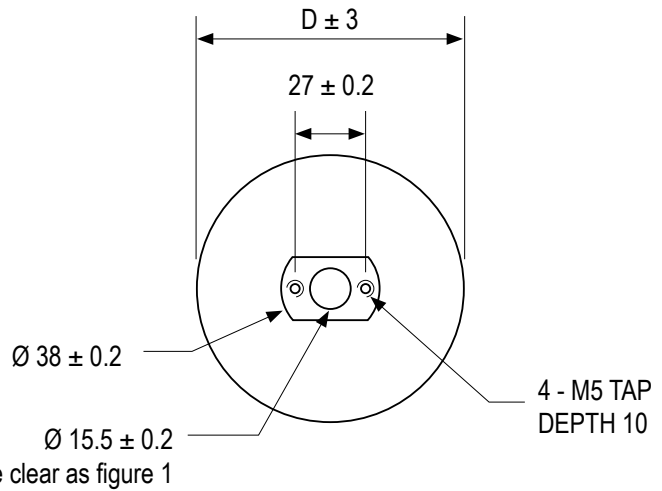
- HIGH VOLTAGE, MEDIUM PULSE APPLICATIONS
- ENERGY CONVERSION AND CONTROL IN POWER SEMICONDUCTOR CIRCUITS
- SMPS, MOTOR SPEED CONTROLS



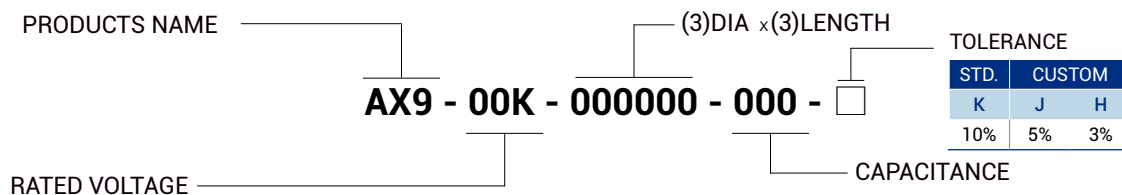
DIEMENSIONS



[Figure 1]



ORDERING INFORMATION



All of specifications Subject to change without prenotice.

AX9

HIGH VOLTAGE DC CAPACITORS

HIGH VOLTAGE METALLIZED POLYPROPYLENE
TAPE WRAP AND EPOXY FILL CASE
CUSTOM DESIGN AVAILABLE.



SPECIFICATIONS

DC VOLTAGE RANGE	2000~30000 V
CAPACITANCE RANGE	UP TO 7 μ F
CAPACITANCE TOLERANCE (AT 1kHz)	STANDARD: \pm 10% ON REQUEST \pm 3, 5%
EQUIVALENT SERIES RESISTANCE (ESR)	< 4.5 m Ω
MAXIMUM VOLTAGE RATE OF RISE(dV/dT)	\leq 800 V/ μ s
TERMINALS	M5
VOLTAGE TEST	RATED VOLTAGE X 1.5 TIMES FOR 10 SECS
WORKING & STORAGE TEMPERATURE	-55 / +85 °C
CYLINDRICAL CASE AND FILLING	FLAME RETARDANT EPOXY RESIN FILL AND TAPE WRAP
PROTECTIVE MECHANISM	SELF HEALING
LIFE EXPECTANCY	100,000 HOURS TYP.
M5 SCREW TERMINALS	MAX 3 NM
DISSIPATION FACTOR	DF VALUE \leq 0.05 % , MEASURED AT 25 \pm 5°C, 1 kHz.
INSULATION RESISTANCE (RINS)	C \leq 0.33 μ F \geq 300,000M Ω , C > 0.33 μ F \geq 100,000 SEC (M Ω X μ F) AT 25 \pm °C, AFTER 1 MINUTE OF ELECTRIFICATION AT 500VDC

AX9

HIGH VOLTAGE DC CAPACITORS

HIGH VOLTAGE METALLIZED POLYPROPYLENE
TAPE WRAP AND EPOXY FILL CASE
CUSTOM DESIGN AVAILABLE.



2000VDC, RATED VOLTAGE								
VOLTAGE [V]		CAP ⁽³⁾	DIMENSIONS[mm]			TERMINAL	CURRENT	ORDERING CODE
VDC	V-PEAK ⁽¹⁾	μF	D MAX	L	T - T		I-PEAK ⁽²⁾ [kA]	
2000	2800	1.2	47	71	81	M5	132.0	AX9-02K-047071-125-K
2000	2800	1.5	54	71	81	M5	165.0	AX9-02K-054071-155-K
2000	2800	2	61	71	81	M5	220.0	AX9-02K-061071-205-K
2000	2800	2.2	64	71	81	M5	242.0	AX9-02K-064071-225-K
2000	2800	2.5	68	71	81	M5	275.0	AX9-02K-068071-255-K
2000	2800	3	75	71	81	M5	330.0	AX9-02K-075071-305-K
2000	2800	3.3	78	71	81	M5	363.0	AX9-02K-078071-335-K
2000	2800	3.5	80	71	81	M5	385.0	AX9-02K-080071-355-K
2000	2800	3.7	82	71	81	M5	407.0	AX9-02K-082071-375-K
2000	2800	4	86	71	81	M5	440.0	AX9-02K-086071-405-K
2000	2800	4.5	91	71	81	M5	495.0	AX9-02K-091071-455-K
2000	2800	5	95	71	81	M5	550.0	AX9-02K-095071-505-K
2000	2800	6	104	71	81	M5	660.0	AX9-02K-104071-605-K
2000	2800	7	112	71	81	M5	770.0	AX9-02K-112071-705-K

**CAPACITANCE AND THREADS TERMINAL AVAILABLE AS CUSTOM.

(1) NON-REPETITIVE PEAK VOLTAGE LESS THAN 00μS TYP.

(2) NON-REPETITIVE PEAK CURRENT LESS THAN 00μS TYP.

(3) MEASURED AT 1kHz ±20HZ AT 25°C

AX9

HIGH VOLTAGE DC CAPACITORS

HIGH VOLTAGE METALLIZED POLYPROPYLENE
TAPE WRAP AND EPOXY FILL CASE
CUSTOM DESIGN AVAILABLE.



4000VDC, RATED VOLTAGE								
VOLTAGE [V]		CAP ⁽³⁾	DIMENSIONS[mm]			TERMINAL	CURRENT	ORDERING CODE
VDC	V-PEAK ⁽¹⁾	μF	D MAX	L	T - T		I-PEAK ⁽²⁾ [kA]	
4000	5600	0.47	52	71	81	M5	103.4	AX9-04K-052071-474-K
4000	5600	0.68	62	71	81	M5	149.6	AX9-04K-062071-684-K
4000	5600	1	74	71	81	M5	220.0	AX9-04K-074071-105-K
4000	5600	1.2	81	71	81	M5	264.0	AX9-04K-081071-125-K
4000	5600	1.5	91	71	81	M5	330.0	AX9-04K-091071-155-K
4000	5600	2	104	71	81	M5	440.0	AX9-04K-104071-205-K
4000	5600	2.2	108	71	81	M5	484.0	AX9-04K-108071-225-K
4000	5600	2.5	116	71	81	M5	550.0	AX9-04K-116071-255-K

6000VDC, RATED VOLTAGE								
VOLTAGE [V]		CAP ⁽³⁾	DIMENSIONS[mm]			TERMINAL	CURRENT	ORDERING CODE
VDC	V-PEAK ⁽¹⁾	μF	D MAX	L	T - T		I-PEAK ⁽²⁾ [kA]	
6000	8500	0.33	54	92	102	M5	57.8	AX9-06K-054092-334-K
6000	8500	0.47	64	92	102	M5	82.3	AX9-06K-064092-474-K
6000	8500	0.68	77	92	102	M5	119.0	AX9-06K-077092-684-K
6000	8500	1	93	92	102	M5	175.0	AX9-06K-093092-105-K
6000	8500	1.2	102	92	102	M5	210.0	AX9-06K-102092-125-K
6000	8500	1.5	114	92	102	M5	262.5	AX9-06K-114092-155-K

**CAPACITANCE AND THREADS TERMINAL AVAILABLE AS CUSTOM.
(1) NON-REPETITIVE PEAK VOLTAGE LESS THAN 00μS TYP.
(2) NON-REPETITIVE PEAK CURRENT LESS THAN 00μS TYP.
(3) MEASURED AT 1kHz ±20HZ AT 25°C

AX9

HIGH VOLTAGE DC CAPACITORS

HIGH VOLTAGE METALLIZED POLYPROPYLENE
TAPE WRAP AND EPOXY FILL CASE
CUSTOM DESIGN AVAILABLE.



8000VDC, RATED VOLTAGE								
VOLTAGE [V]		CAP ⁽³⁾	DIMENSIONS[mm]			TERMINAL	CURRENT	ORDERING CODE
VDC	V-PEAK ⁽¹⁾	μF	D MAX	L	T - T		I-PEAK ⁽²⁾ [kA]	
8000	12000	0.22	51	99	109	M5	49.7	AX9-08K-051099-224-K
8000	12000	0.33	63	99	109	M5	74.6	AX9-08K-063099-334-K
8000	12000	0.47	74	99	109	M5	106.2	AX9-08K-074099-474-K
8000	12000	0.68	89	99	109	M5	153.7	AX9-08K-089099-684-K
8000	12000	1	108	99	109	M5	226.0	AX9-08K-108099-105-K
8000	12000	1.2	118	99	109	M5	271.2	AX9-08K-118099-125-K

10000VDC, RATED VOLTAGE								
VOLTAGE [V]		CAP ⁽³⁾	DIMENSIONS[mm]			TERMINAL	CURRENT	ORDERING CODE
VDC	V-PEAK ⁽¹⁾	μF	D MAX	L	T - T		I-PEAK ⁽²⁾ [kA]	
10000	14000	0.15	51	99	109	M5	45.0	AX9-10K-051099-154-K
10000	14000	0.22	62	99	109	M5	66.0	AX9-10K-062099-224-K
10000	14000	0.33	76	99	109	M5	99.0	AX9-10K-076099-334-K
10000	14000	0.47	91	99	109	M5	141.0	AX9-10K-091099-474-K
10000	14000	0.68	109	99	109	M5	204.0	AX9-10K-109099-684-K

**CAPACITANCE AND THREADS TERMINAL AVAILABLE AS CUSTOM.

(1) NON-REPETITIVE PEAK VOLTAGE LESS THAN 00μS TYP.

(2) NON-REPETITIVE PEAK CURRENT LESS THAN 00μS TYP.

(3) MEASURED AT 1kHz ±20HZ AT 25°C

AX9

HIGH VOLTAGE DC CAPACITORS

HIGH VOLTAGE METALLIZED POLYPROPYLENE
TAPE WRAP AND EPOXY FILL CASE
CUSTOM DESIGN AVAILABLE.



16000VDC, RATED VOLTAGE								
VOLTAGE [V]		CAP ⁽³⁾	DIMENSIONS[mm]			TERMINAL	CURRENT	ORDERING CODE
VDC	V-PEAK ⁽¹⁾	μF	D MAX	L	T - T		I-PEAK ⁽²⁾ [kA]	
16000	22000	0.022	46	101	111	M5	11.0	AX9-16K-046101-223-K
16000	22000	0.033	55	101	111	M5	16.5	AX9-16K-055101-333-K
16000	22000	0.047	66	101	111	M5	23.5	AX9-16K-066101-473-K
16000	22000	0.068	79	101	111	M5	34.0	AX9-16K-079101-683-K
16000	22000	0.1	95	101	111	M5	50.0	AX9-16K-095101-104-K
16000	22000	0.15	116	101	111	M5	75.0	AX9-16K-116101-154-K

20000VDC, RATED VOLTAGE								
VOLTAGE [V]		CAP ⁽³⁾	DIMENSIONS[mm]			TERMINAL	CURRENT	ORDERING CODE
VDC	V-PEAK ⁽¹⁾	μF	D MAX	L	T - T		I-PEAK ⁽²⁾ [kA]	
20000	28000	0.015	49	127	137	M5	9.0	AX9-20K-049127-153-K
20000	28000	0.022	59	127	137	M5	13.2	AX9-20K-059127-223-K
20000	28000	0.033	71	127	137	M5	19.8	AX9-20K-071127-333-K
20000	28000	0.047	85	127	137	M5	28.2	AX9-20K-085127-473-K
20000	28000	0.068	101	127	137	M5	40.8	AX9-20K-101127-683-K

**CAPACITANCE AND THREADS TERMINAL AVAILABLE AS CUSTOM.

(1) NON-REPETITIVE PEAK VOLTAGE LESS THAN 00μS TYP.

(2) NON-REPETITIVE PEAK CURRENT LESS THAN 00μS TYP.

(3) MEASURED AT 1kHz ±20HZ AT 25°C

AX9

HIGH VOLTAGE DC CAPACITORS

HIGH VOLTAGE METALLIZED POLYPROPYLENE
TAPE WRAP AND EPOXY FILL CASE
CUSTOM DESIGN AVAILABLE.



30000VDC, RATED VOLTAGE								
VOLTAGE [V]		CAP ⁽³⁾	DIMENSIONS[mm]			TERMINAL	CURRENT	ORDERING CODE
VDC	V-PEAK ⁽¹⁾	μF	D MAX	L	T - T		I-PEAK ⁽²⁾ [kA]	
30000	42000	0.01	51	164	174	M5	7.0	AX9-30K-051164-103-K
30000	42000	0.015	62	164	174	M5	10.5	AX9-30K-062164-153-K
30000	42000	0.022	74	164	174	M5	15.4	AX9-30K-074164-223-K
30000	42000	0.033	91	164	174	M5	23.1	AX9-30K-091164-333-K
30000	42000	0.047	108	164	174	M5	32.9	AX9-30K-108164-473-K

50000VDC, RATED VOLTAGE								
VOLTAGE [V]		CAP ⁽³⁾	DIMENSIONS[mm]			TERMINAL	CURRENT	ORDERING CODE
VDC	V-PEAK ⁽¹⁾	μF	D MAX	L	T - T		I-PEAK ⁽²⁾ [kA]	
50000	65000	0.0047	51	182	192	M5	3.8	AX9-50K-051182-472-K
50000	65000	0.0068	60	182	192	M5	5.4	AX9-50K-060182-682-K
50000	65000	0.01	72	182	192	M5	8.0	AX9-50K-072182-103-K
50000	65000	0.015	85	182	192	M5	12.0	AX9-50K-085182-153-K
50000	65000	0.022	105	182	192	M5	17.6	AX9-50K-105182-223-K

**CAPACITANCE AND THREADS TERMINAL AVAILABLE AS CUSTOM.

(1) NON-REPETITIVE PEAK VOLTAGE LESS THAN 00μS TYP.

(2) NON-REPETITIVE PEAK CURRENT LESS THAN 00μS TYP.

(3) MEASURED AT 1kHz ±20HZ AT 25°C

ALL INFORMATION ON THIS FILE IS SUBJECT TO CHANGE WITHOUT PRE-NOTICE.

303 Hyundai I Valley ,149 Gongdanro, Gunpo City, Gyeonggido, Korea

VOICE. +82-31-429-6379 FAX. +82-31-429-9127

info@3RLab.com www.3RLab.com 3RLab,Inc.



UPDATE 2022-03-03