

TX7

HIGH VOLTAGE DC CAPACITORS

HIGH TEMPERATURE METALLIZED POLYPROPYLENE TAPE WRAP
AND HEAT SINK CASE
CUSTOM DESIGN AVAILABLE.



MAIN CHARACTERISTICS:

- SELF-HEALING METALLIZED POLYPROPYLENE FILM
- TAPE WRAP AND HEAT SINK CASE
- HT EPOXY FILLING

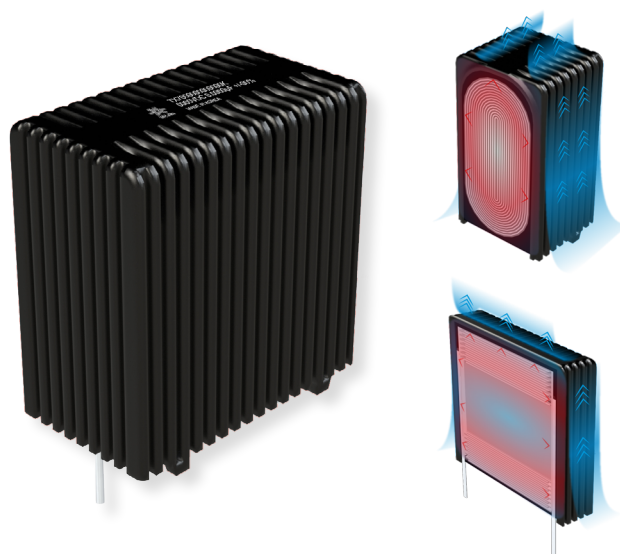


MAIN APPLICATIONS:

- ELECTRIC VEHICLE
- HARSHED HIGH TEMPERATURE APPLICATION



SPECIFICATIONS



DC VOLTAGE RANGE	500
CAPACITANCE RANGE	UP TO 20 μ F
CAPACITANCE TOLERANCE (+25°C)	STANDARD: \pm 10% ON REQUEST \pm 5%
EQUIVALENT SERIES RESISTANCE (ESR)	< 4.5 m Ω
MAXIMUM VOLTAGE RATE OF RISE(dV/dT)	\leq 85 V/ μ s
TERMINALS	TINNED COPPER WIRE
VOLTAGE TEST	RATED VOLTAGE X 1.4 TIMES FOR 10 SECS
WORKING & STORAGE TEMPERATURE	-55 / +125 °C
FILLING	FLAME RETARDANT EPOXY RESIN FILLING
PROTECTIVE MECHANISM	SELF HEALING
SQUARE PLASTIC CASE	FLAME RETARDANT HEAT SINK PLASTIC CASE (UL94V-0)
LIFE EXPECTANCY	100,000 HOURS TYP.
SOLDERING HEAT TEST	TEMPERATURE = 260 \pm 5°C FOR 10SECS
DISSIPATION FACTOR	DF VALUE \leq 0.05 % , MEASURED AT 25 \pm 5°C, 1 kHz.
INSULATION RESISTANCE (RINS)	$C \leq 0.33\mu$ F \geq 100,000M Ω , $C > 0.33\mu$ F \geq 30,000 SEC (M Ω X μ F) AT 25 \pm °C, AFTER 1 MINUTE OF ELECTRIFICATION AT 100VDC

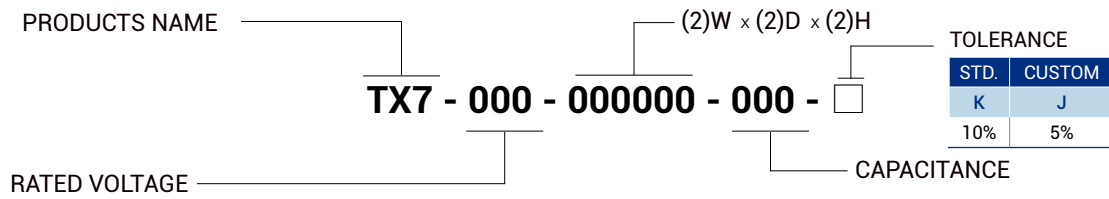
TX7

HIGH VOLTAGE DC CAPACITORS

HIGH TEMPERATURE METALLIZED POLYPROPYLENE TAPE WRAP
AND HEAT SINK CASE
CUSTOM DESIGN AVAILABLE.

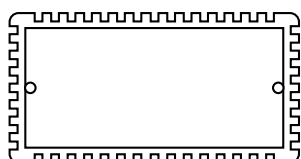
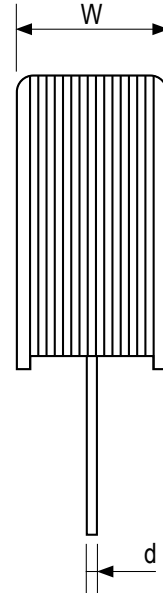
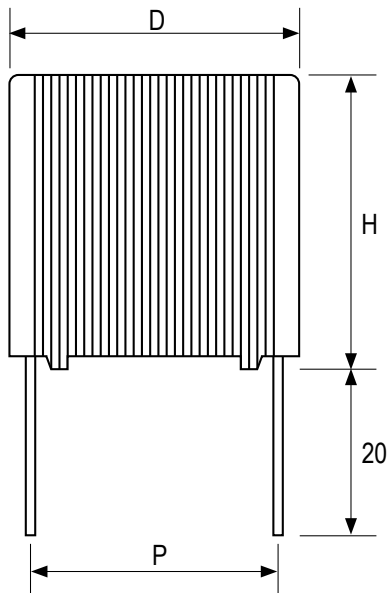
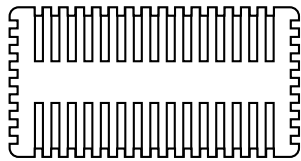


ORDERING INFORMATION



All of specifications Subject to change without prenotice.

DIEMENSIONS



TX7

HIGH VOLTAGE DC CAPACITORS

HIGH TEMPERATURE METALLIZED POLYPROPYLENE TAPE WRAP
AND HEAT SINK CASE
CUSTOM DESIGN AVAILABLE.



500VDC, RATED VOLTAGE									
VOLTAGE [V]		CAP ⁽³⁾	DIMENSIONS[mm]				LEAD	CURRENT	ORDERING CODE
VDC	V-PEAK ⁽¹⁾	μF	W	H	I	P	AWG	I-PEAK ⁽²⁾ [kA]	
500	700	5	16	35	25	29	0.8	425.0	TX7-005-163525-505-K
500	700	6	16	35	25	29	0.8	510.0	TX7-005-163525-605-K
500	700	8	16	35	25	29	0.8	680.0	TX7-005-163525-805-K
500	700	10	16	35	25	29	0.8	850.0	TX7-005-163525-106-K
500	700	15	18	35	35.5	29	0.8	1050.0	TX7-005-183535-156-K
500	700	20	20	35	37	29	0.8	1300.0	TX7-005-203537-206-K

**CAPACITANCE AND THREADS TERMINAL AVAILABLE AS CUSTOM.

(1) NON-REPETITIVE PEAK VOLTAGE LESS THAN 00MS TYP.

(2) NON-REPETITIVE PEAK CURRENT LESS THAN 00MS TYP.

(3) MEASURED AT 1KHZ ±20HZ AT 25°C

ALL INFORMATION ON THIS FILE IS SUBJECT TO CHANGE WITHOUT PRE-NOTICE.

303 Hyundai I Valley ,149 Gongdanro, Gunpo City, Gyeonggi-do, Korea

VOICE. +82-31-429-6379 FAX. +82-31-429-9127

info@3RLab.com www.3RLab.com 3RLab,Inc.



UPDATE 2022-03-03