

MX7

HIGH VOLTAGE DC CAPACITORS

HIGH DENSITY, LOW INDUCTANCE DC-LINK CAPACITORS ALUMINUM CASE
CUSTOM DESIGN AVAILABLE.



MAIN CHARACTERISTICS:

- SELF-HEALING METALLIZED POLYPROPYLENE FILM
- ALUMINUM CASE
- DRY RESIN FILLING



MAIN APPLICATIONS:

- DC-LINK
- ENERGY STORAGE / PULSE GENERATION



SPECIFICATIONS

DC VOLTAGE RANGE	600~3600 V
MAXIMUM RIPPLE VOLTAGE	900 V
MAXIMUM RIPPLE CURRENT	100 A
CAPACITANCE RANGE	UP TO 7290 μ F
CAPACITANCE TOLERANCE	STANDARD: $\pm 10\%$ ON REQUEST $\pm 5\%$
EQUIVALENT SERIES RESISTANCE (ESR)	< 4.5 m Ω
MAXIMUM VOLTAGE RATE OF RISE(dV/dT)	≤ 110 V/ μ s
TERMINALS	M6 X 10 NUTS
VOLTAGE TEST	RATED VOLTAGE X 1.4 TIMES FOR 10 SECS
WORKING & STORAGE TEMPERATURE	-55 / +85 $^{\circ}$ C
FILLING	DRY POLYURETHANE RESIN
PROTECTIVE MECHANISM	SELF HEALING
CYLINDRICAL CASE	ALUMINUM
LIFE EXPECTANCY	100,000 HOURS TYP.
M6 SCREW TERMINALS	Max 6 Nm

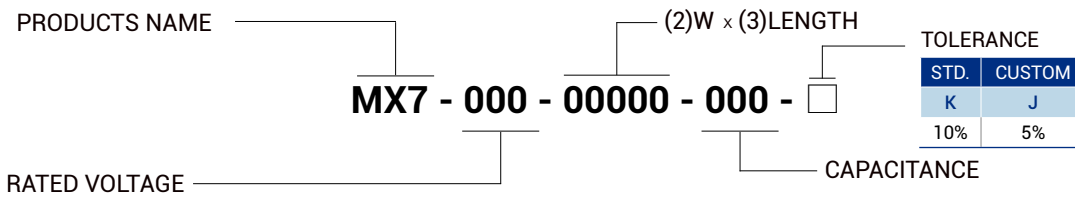
MX7

HIGH VOLTAGE DC CAPACITORS

HIGH DENSITY, LOW INDUCTANCE DC-LINK CAPACITORS ALUMINUM CASE
CUSTOM DESIGN AVAILABLE.

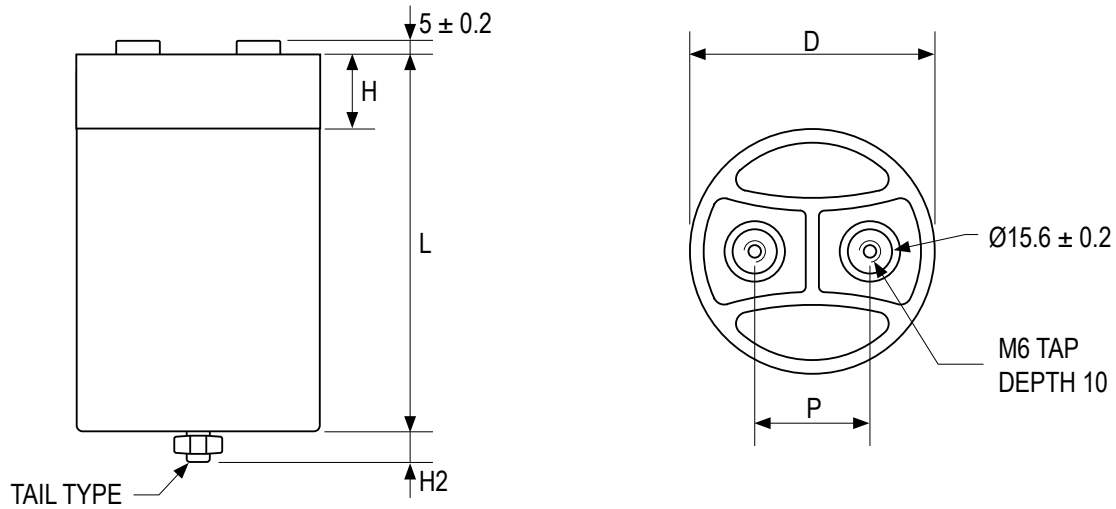


ORDERING INFORMATION



All of specifications Subject to change without prenotice.

DIEMENSIONS



CASE TYPE					
TYPE	DIMENSIONS[mm]			TAIL TYPE	
	D	H	p	TERMINAL	H ₂
A	76	20	32	M12	16
B	96	20	45		
C	116	22	50		
D	136	30	50		
E	136	30	50	M16	25

MX7

HIGH VOLTAGE DC CAPACITORS

HIGH DENSITY, LOW INDUCTANCE DC-LINK CAPACITORS ALUMINUM CASE
CUSTOM DESIGN AVAILABLE.



600VDC, RATED VOLTAGE											
VOLTAGE [V]			CAP ⁽³⁾	DIMENSIONS[mm]			CURRENT		ESR (100kHz)	CASE TYPE	ORDERING CODE
VDC	V -RIPPLE	V-PEAK ⁽¹⁾	μF	D	L	TER- MINAL	I-PEAK ⁽²⁾ [kA]	I-RMS [A]	mΩ		
600	100	900	555	76	115	M6	3.8	40	1	A	MX7-006-076115-557-K
600	100	900	680	76	115	M6	3.8	40	1.1	A	MX7-006-076115-687-K
600	100	900	930	76	165	M6	3.8	40	1.4	A	MX7-006-076165-937-K
600	100	900	1035	76	165	M6	6.2	65	0.66	A	MX7-006-076165-108-K
600	100	900	1110	96	170	M6	7.6	80	0.84	B	MX7-006-096170-118-K
600	100	900	1265	96	170	M6	6.2	65	0.71	B	MX7-006-096170-128-K
600	100	900	1360	96	170	M6	6.7	70	0.93	B	MX7-006-096170-138-K
600	100	900	1450	96	170	M6	7.6	80	0.82	B	MX7-006-096170-148-K
600	100	900	1725	96	170	M6	5.7	60	0.85	B	MX7-006-096170-178-K
600	100	900	2070	116	148	M6	9.5	100	0.62	C	MX7-006-116148-208-K
600	100	900	2430	136	130	M6	6.2	65	0.75	D	MX7-006-136130-248-K
600	100	900	2530	116	203	M6	8.6	90	0.66	C	MX7-006-116203-258-K
600	100	900	3105	116	253	M6	11.4	120	0.6	C	MX7-006-116253-318-K
600	100	900	3310	116	253	M6	8.6	90	0.78	C	MX7-006-116253-338-K
600	100	900	3795	116	253	M6	11.4	120	0.65	C	MX7-006-116253-378-K
600	100	900	4140	116	323	M6	11.4	120	0.67	C	MX7-006-116323-418-K
600	100	900	4365	136	290	M6	11.4	120	0.62	E	MX7-006-136290-438-K
600	100	900	5060	116	323	M6	11.4	120	0.75	C	MX7-006-116323-508-K
600	100	900	5820	136	290	M6	11.4	120	0.68	E	MX7-006-136290-588-K
600	100	900	7290	136	330	M6	11.4	120	0.76	E	MX7-006-136330-728-K

**CAPACITANCE AND THREADS TERMINAL AVAILABLE AS CUSTOM.

(1) NON-REPETITIVE PEAK VOLTAGE LESS THAN 00MS TYP.

(2) NON-REPETITIVE PEAK CURRENT LESS THAN 00MS TYP.

(3) MEASURED AT 1KHZ ±20HZ AT 25°C

MX7

HIGH VOLTAGE DC CAPACITORS

HIGH DENSITY, LOW INDUCTANCE DC-LINK CAPACITORS ALUMINUM CASE
CUSTOM DESIGN AVAILABLE.



700VDC, RATED VOLTAGE											
VOLTAGE [V]			CAP ⁽³⁾	DIMENSIONS[mm]			CURRENT		ESR (100kHz)	CASE TYPE	ORDERING CODE
VDC	V -RIPPLE	V-PEAK ⁽¹⁾	μF	D	L	TER- MINAL	I-PEAK ⁽²⁾ [kA]	I-RMS [A]	mΩ		
700	120	1000	410	76	115	M6	3.6	40	1.1	A	MX7-007-076115-417-K
700	120	1000	765	96	120	M6	6.1	65	0.69	B	MX7-007-096120-767-K
700	120	1000	820	96	170	M6	5.9	80	0.87	B	MX7-007-096170-827-K
700	120	1000	1070	96	170	M6	6.8	80	0.81	B	MX7-007-096170-108-K
700	120	1000	1530	116	148	M6	8.6	90	0.64	C	MX7-007-116148-158-K
700	120	1000	1545	116	148	M6	7.4	100	0.79	C	MX7-007-116148-158-K
700	120	1000	2295	116	253	M6	9.2	120	0.62	C	MX7-007-116253-228-K
700	120	1000	3060	116	323	M6	9.8	120	0.71	C	MX7-007-116323-308-K
700	120	1000	3240	116	323	M6	7.8	120	0.71	C	MX7-007-116323-328-K
700	120	1000	4320	136	290	M6	9.1	120	0.67	E	MX7-007-136290-438-K

**CAPACITANCE AND THREADS TERMINAL AVAILABLE AS CUSTOM.

(1) NON-REPETITIVE PEAK VOLTAGE LESS THAN 00MS TYP.

(2) NON-REPETITIVE PEAK CURRENT LESS THAN 00MS TYP.

(3) MEASURED AT 1KHZ ±20HZ AT 25°C

MX7

HIGH VOLTAGE DC CAPACITORS

HIGH DENSITY, LOW INDUCTANCE DC-LINK CAPACITORS ALUMINUM CASE
CUSTOM DESIGN AVAILABLE.



900VDC, RATED VOLTAGE											
VOLTAGE [V]			CAP ⁽³⁾	DIMENSIONS[mm]			CURRENT		ESR (100kHz)	CASE TYPE	ORDERING CODE
VDC	V -RIPPLE	V-PEAK ⁽¹⁾	μF	D	L	TER- MINAL	I-PEAK ⁽²⁾ [kA]	I-RMS [A]	mΩ		
900	225	1350	350	76	115	M6	3.8	40	1.1	A	MX7-009-076115-357-K
900	225	1350	430	96	120	M6	3.8	40	1.2	B	MX7-009-096120-437-K
900	225	1350	590	96	120	M6	7.6	80	0.81	B	MX7-009-096120-597-K
900	225	1350	650	96	120	M6	3.8	40	1.7	B	MX7-009-096120-657-K
900	225	1350	655	96	120	M6	7.6	80	0.89	B	MX7-009-096120-657-K
900	225	1350	700	96	170	M6	3.8	40	1.8	B	MX7-009-096170-707-K
900	225	1350	745	96	170	M6	7.6	80	1	B	MX7-009-096170-747-K
900	225	1350	860	96	170	M6	7.6	80	0.83	B	MX7-009-096170-867-K
900	225	1350	910	96	170	M6	3.8	40	2.1	B	MX7-009-096170-917-K
900	225	1350	935	96	170	M6	3.8	40	1.6	B	MX7-009-096170-937-K
900	225	1350	965	116	148	M6	6.2	65	0.94	C	MX7-009-116148-967-K
900	225	1350	1095	116	148	M6	8.6	90	0.65	C	MX7-009-116148-108-K
900	225	1350	1310	116	148	M6	7.6	80	1.1	C	MX7-009-116148-138-K
900	225	1350	1520	116	203	M6	6.2	65	1.2	C	MX7-009-116203-158-K
900	225	1350	1530	136	130	M6	11.4	120	0.66	D	MX7-009-136130-158-K
900	225	1350	1740	116	203	M6	8.6	90	0.81	C	MX7-009-116203-178-K
900	225	1350	1965	116	253	M6	11.4	120	0.71	C	MX7-009-116253-198-K
900	225	1350	2190	116	253	M6	11.4	120	0.63	C	MX7-009-116253-218-K
900	225	1350	2620	116	323	M6	11.4	120	0.82	C	MX7-009-116323-268-K
900	225	1350	2745	116	323	M6	8.6	90	1	C	MX7-009-116323-278-K
900	225	1350	3285	136	290	M6	11.4	120	0.69	E	MX7-009-136290-328-K
900	225	1350	3480	136	290	M6	8.6	90	0.84	E	MX7-009-136290-348-K
900	225	1350	3660	136	330	M6	11.4	120	0.78	E	MX7-009-136330-368-K
900	225	1350	3880	136	330	M6	8.6	90	0.94	E	MX7-009-136330-388-K

**CAPACITANCE AND THREADS TERMINAL AVAILABLE AS CUSTOM.

(1) NON-REPETITIVE PEAK VOLTAGE LESS THAN 00MS TYP.

(2) NON-REPETITIVE PEAK CURRENT LESS THAN 00MS TYP.

(3) MEASURED AT 1KHZ ±20HZ AT 25°C

303 Hyundai I Valley ,149 Gongdanro, Gunpo City, Gyeonggido, Korea

VOICE. +82-31-429-6379 FAX. +82-31-429-9127

info@3RLab.com www.3RLab.com 3RLab,Inc.



UPDATE 2022-03-03

MX7

HIGH VOLTAGE DC CAPACITORS

HIGH DENSITY, LOW INDUCTANCE DC-LINK CAPACITORS ALUMINUM CASE
CUSTOM DESIGN AVAILABLE.



1100VDC, RATED VOLTAGE											
VOLTAGE [V]			CAP ⁽³⁾	DIMENSIONS[mm]			CURRENT		ESR (100kHz)	CASE TYPE	ORDERING CODE
VDC	V -RIPPLE	V-PEAK ⁽¹⁾	μF	D	L	TER- MINAL	I-PEAK ⁽²⁾ [kA]	I-RMS [A]	mΩ		
1100	250	1500	220	76	115	M6	2.4	40	1.3	A	MX7-011-076115-227-K
1100	250	1500	250	96	120	M6	4.9	70	0.73	B	MX7-011-096120-257-K
1100	250	1500	280	96	120	M6	2.5	40	1.4	B	MX7-011-096120-287-K
1100	250	1500	375	96	120	M6	7.3	90	0.67	B	MX7-011-096120-377-K
1100	250	1500	380	96	120	M6	2.4	40	1.8	B	MX7-011-096120-387-K
1100	250	1500	415	96	120	M6	4.5	65	0.79	B	MX7-011-096120-417-K
1100	250	1500	420	96	120	M6	2.4	40	1.9	B	MX7-011-096120-427-K
1100	250	1500	450	96	170	M6	4.8	80	0.86	B	MX7-011-096170-457-K
1100	250	1500	560	96	170	M6	4.9	80	0.95	B	MX7-011-096170-567-K
1100	250	1500	580	96	170	M6	6.2	80	0.88	B	MX7-011-096170-587-K
1100	250	1500	605	96	170	M6	2.5	40	2.4	B	MX7-011-096170-607-K
1100	250	1500	705	116	148	M6	4.5	65	1.1	C	MX7-011-116148-707-K
1100	250	1500	790	116	148	M6	3.2	40	2	C	MX7-011-116148-797-K
1100	250	1500	830	116	148	M6	8.9	90	0.68	C	MX7-011-116148-837-K
1100	250	1500	855	116	203	M6	9.2	100	0.84	C	MX7-011-116203-857-K
1100	250	1500	990	116	203	M6	6.4	80	1.2	C	MX7-011-116203-997-K
1100	250	1500	1000	136	130	M6	6.4	65	0.89	D	MX7-011-136130-108-K
1100	250	1500	1100	116	203	M6	4.5	65	1.4	C	MX7-011-116203-118-K
1100	250	1500	1245	116	253	M6	13.4	120	0.65	C	MX7-011-116253-128-K
1100	250	1500	1410	116	253	M6	9.1	90	0.87	C	MX7-011-116253-148-K
1100	250	1500	1660	116	323	M6	17.9	120	0.71	C	MX7-011-116323-168-K
1100	250	1500	1755	136	290	M6	18.9	120	0.61	E	MX7-011-136290-178-K
1100	250	1500	2115	136	290	M6	13.6	120	0.82	E	MX7-011-136290-218-K

**CAPACITANCE AND THREADS TERMINAL AVAILABLE AS CUSTOM.

(1) NON-REPETITIVE PEAK VOLTAGE LESS THAN 00MS TYP.

(2) NON-REPETITIVE PEAK CURRENT LESS THAN 00MS TYP.

(3) MEASURED AT 1KHZ ±20HZ AT 25°C

303 Hyundai I Valley ,149 Gongdanro, Gunpo City, Gyeonggido, Korea

VOICE. +82-31-429-6379 FAX. +82-31-429-9127

info@3RLab.com www.3RLab.com 3RLab,Inc.



UPDATE 2022-03-03

MX7

HIGH VOLTAGE DC CAPACITORS

HIGH DENSITY, LOW INDUCTANCE DC-LINK CAPACITORS ALUMINUM CASE
CUSTOM DESIGN AVAILABLE.



1100	250	1500	2200	136	290	M6	9.0	90	1.1	E	MX7-011-136290-228-K
1100	250	1500	2300	136	330	M6	24.8	120	0.59	E	MX7-011-136330-238-K

1200VDC, RATED VOLTAGE											
VOLTAGE [V]			CAP ⁽³⁾	DIMENSIONS[mm]			CURRENT		ESR (100kHz)	CASE TYPE	ORDERING CODE
VDC	V -RIPPLE	V-PEAK ⁽¹⁾	μF	D	L	TER- MINAL	I-PEAK ⁽²⁾ [kA]	I-RMS [A]	mΩ		
1200	300	1800	185	76	115	M6	2.2	40	1.3	A	MX7-012-076115-187-K
1200	300	1800	225	96	120	M6	2.2	40	1.5	B	MX7-012-096120-227-K
1200	300	1800	345	96	120	M6	2.2	40	2	B	MX7-012-096120-347-K
1200	300	1800	345	116	148	M6	4.1	75	0.99	C	MX7-012-116148-347-K
1200	300	1800	370	96	170	M6	4.4	90	0.55	B	MX7-012-096170-377-K
1200	300	1800	600	116	148	M6	7.1	120	0.69	C	MX7-012-116148-607-K
1200	300	1800	1035	116	253	M6	12.3	120	0.74	C	MX7-012-116253-108-K
1200	300	1800	1380	116	323	M6	16.4	120	0.74	C	MX7-012-116323-138-K
1200	300	1800	1940	136	330	M6	23.1	120	0.71	E	MX7-012-136330-198-K

**CAPACITANCE AND THREADS TERMINAL AVAILABLE AS CUSTOM.

(1) NON-REPETITIVE PEAK VOLTAGE LESS THAN 00MS TYP.

(2) NON-REPETITIVE PEAK CURRENT LESS THAN 00MS TYP.

(3) MEASURED AT 1KHZ ±20HZ AT 25°C

MX7

HIGH VOLTAGE DC CAPACITORS

HIGH DENSITY, LOW INDUCTANCE DC-LINK CAPACITORS ALUMINUM CASE
CUSTOM DESIGN AVAILABLE.



1300VDC, RATED VOLTAGE											
VOLTAGE [V]			CAP ⁽³⁾	DIMENSIONS[mm]			CURRENT		ESR	CASE TYPE	ORDERING CODE
VDC	V -RIPPLE	V-PEAK ⁽¹⁾	μF	D	L	TERMINAL	I-PEAK ⁽²⁾ [A]	I -RMS	mΩ		
1300	320	1900	145	76	115	M6	1.9	40	1.4	A	MX7-013-076115-147-K
1300	320	1900	180	96	120	M6	2.0	40	1.6	B	MX7-013-096120-187-K
1300	320	1900	215	96	120	M6	2.0	75	1.9	B	MX7-013-096120-217-K
1300	320	1900	275	96	120	M6	3.7	65	0.87	B	MX7-013-096120-277-K
1300	320	1900	290	96	170	M6	3.9	75	1	B	MX7-013-096170-297-K
1300	320	1900	335	116	148	M6	3.6	80	0.96	C	MX7-013-116148-337-K
1300	320	1900	360	96	170	M6	3.9	65	1.2	B	MX7-013-096170-367-K
1300	320	1900	380	96	170	M6	5.0	40	0.94	B	MX7-013-096170-387-K
1300	320	1900	380	116	148	M6	3.5	75	1.1	C	MX7-013-116148-387-K
1300	320	1900	395	96	170	M6	2.0	40	2.8	B	MX7-013-096170-397-K
1300	320	1900	430	96	170	M6	3.9	90	1.3	B	MX7-013-096170-437-K
1300	320	1900	515	116	148	M6	2.6	90	2.3	C	MX7-013-116148-517-K
1300	320	1900	550	116	148	M6	7.3	65	0.72	C	MX7-013-116148-557-K
1300	320	1900	670	116	203	M6	7.3	90	0.79	C	MX7-013-116203-677-K
1300	320	1900	730	116	203	M6	3.7	120	1.6	C	MX7-013-116203-737-K
1300	320	1900	760	116	203	M6	7.0	120	0.9	C	MX7-013-116203-767-K
1300	320	1900	825	116	253	M6	11.0	120	0.68	C	MX7-013-116253-827-K
1300	320	1900	1005	116	253	M6	10.9	120	0.73	C	MX7-013-116253-108-K
1300	320	1900	1100	116	323	M6	14.6	120	0.7	C	MX7-013-116323-118-K
1300	320	1900	1170	116	323	M6	15.5	120	0.63	C	MX7-013-116323-118-K
1300	320	1900	1460	136	290	M6	7.3	90	1.2	E	MX7-013-136290-148-K
1300	320	1900	1695	136	330	M6	15.6	120	0.75	E	MX7-013-136330-168-K

**CAPACITANCE AND THREADS TERMINAL AVAILABLE AS CUSTOM.

(1) NON-REPETITIVE PEAK VOLTAGE LESS THAN 00MS TYP.

(2) NON-REPETITIVE PEAK CURRENT LESS THAN 00MS TYP.

(3) MEASURED AT 1KHZ ±20HZ AT 25°C

MX7

HIGH VOLTAGE DC CAPACITORS

HIGH DENSITY, LOW INDUCTANCE DC-LINK CAPACITORS ALUMINUM CASE
CUSTOM DESIGN AVAILABLE.



1500VDC, RATED VOLTAGE											
VOLTAGE [V]			CAP ⁽³⁾	DIMENSIONS[mm]			CURRENT		ESR (100kHz)	CASE TYPE	ORDERING CODE
VDC	V -RIPPLE	V-PEAK ⁽¹⁾	μF	D	L	TER-MINAL	I-PEAK ⁽²⁾ [kA]	I-RMS [A]	mΩ		
1500	375	2250	180	96	120	M6	3.4	70	0.93	B	MX7-015-096120-187-K
1500	375	2250	195	96	120	M6	1.7	40	2.2	B	MX7-015-096120-197-K
1500	375	2250	255	96	170	M6	4.9	90	0.85	B	MX7-015-096170-257-K
1500	375	2250	340	116	148	M6	6.5	90	0.66	C	MX7-015-116148-347-K
1500	375	2250	365	116	148	M6	3.3	65	1.3	C	MX7-015-116148-367-K
1500	375	2250	405	116	148	M6	3.3	65	1.4	C	MX7-015-116148-407-K
1500	375	2250	510	116	203	M6	9.8	120	0.62	C	MX7-015-116203-517-K
1500	375	2250	680	116	253	M6	13.0	65	1.1	C	MX7-015-116253-687-K
1500	375	2250	730	116	253	M6	6.5	120	0.59	C	MX7-015-116253-737-K
1500	375	2250	810	116	323	M6	6.5	90	1	C	MX7-015-116323-817-K
1500	375	2250	1095	136	330	M6	9.8	90	1	E	MX7-015-136330-108-K
1500	375	2250	1150	136	330	M6	9.3	120	0.89	E	MX7-015-136330-118-K

1800VDC, RATED VOLTAGE											
VOLTAGE [V]			CAP ⁽³⁾	DIMENSIONS[mm]			CURRENT		ESR (100kHz)	CASE TYPE	ORDERING CODE
VDC	V -RIPPLE	V-PEAK ⁽¹⁾	μF	D	L	TER-MINAL	I-PEAK ⁽²⁾ [kA]	I-RMS [A]	mΩ		
1800	400	2500	170	96	170	M6	1.5	40	2.9	B	MX7-018-096170-177-K
1800	400	2500	220	96	170	M6	1.9	40	2.4	B	MX7-018-096170-227-K
1800	400	2500	315	116	148	M6	2.7	65	1.7	C	MX7-018-116148-317-K
1800	400	2500	630	116	323	M6	5.4	90	1.2	C	MX7-018-116323-637-K
1800	400	2500	890	136	290	M6	7.6	90	1.1	E	MX7-018-136290-897-K

**CAPACITANCE AND THREADS TERMINAL AVAILABLE AS CUSTOM.

(1) NON-REPETITIVE PEAK VOLTAGE LESS THAN 00MS TYP.

(2) NON-REPETITIVE PEAK CURRENT LESS THAN 00MS TYP.

(3) MEASURED AT 1KHZ ±20HZ AT 25°C

MX7

HIGH VOLTAGE DC CAPACITORS

HIGH DENSITY, LOW INDUCTANCE DC-LINK CAPACITORS ALUMINUM CASE
CUSTOM DESIGN AVAILABLE.



2000VDC, RATED VOLTAGE											
VOLTAGE [V]			CAP ⁽³⁾	DIMENSIONS[mm]			CURRENT		ESR (100kHz)	CASE TYPE	ORDERING CODE
VDC	V -RIPPLE	V-PEAK ⁽¹⁾	μF	D	L	TER- MINAL	I-PEAK ⁽²⁾ [kA]	I-RMS [A]	mΩ		
2000	500	3000	60	76	115	M6	1.3	40	1.8	A	MX7-020-076115-606-K
2000	500	3000	70	96	120	M6	2.7	55	0.87	B	MX7-020-096120-706-K
2000	500	3000	75	96	120	M6	1.3	40	2.1	B	MX7-020-096120-756-K
2000	500	3000	90	96	120	M6	1.2	40	2.9	B	MX7-020-096120-906-K
2000	500	3000	105	96	120	M6	1.3	40	2.7	B	MX7-020-096120-107-K
2000	500	3000	115	96	120	M6	2.4	60	1.1	B	MX7-020-096120-117-K
2000	500	3000	120	96	120	M6	2.5	65	1.3	B	MX7-020-096120-127-K
2000	500	3000	160	116	148	M6	3.3	80	1	C	MX7-020-116148-167-K
2000	500	3000	165	96	170	M6	1.3	40	3.8	B	MX7-020-096170-167-K
2000	500	3000	170	116	148	M6	2.4	65	1.4	C	MX7-020-116148-177-K
2000	500	3000	180	96	170	M6	2.6	65	1.7	B	MX7-020-096170-187-K
2000	500	3000	195	116	148	M6	2.4	65	1.6	C	MX7-020-116148-197-K
2000	500	3000	230	116	148	M6	4.8	90	0.83	C	MX7-020-116148-237-K
2000	500	3000	270	116	203	M6	3.3	80	1.4	C	MX7-020-116203-277-K
2000	500	3000	275	136	130	M6	3.4	65	1.3	D	MX7-020-136130-277-K
2000	500	3000	310	116	203	M6	2.4	65	2.1	C	MX7-020-116203-317-K
2000	500	3000	345	116	253	M6	7.2	120	0.75	C	MX7-020-116253-347-K
2000	500	3000	390	116	253	M6	4.8	90	1.1	C	MX7-020-116253-397-K
2000	500	3000	460	116	323	M6	9.6	120	0.76	C	MX7-020-116323-467-K
2000	500	3000	480	116	323	M6	10.0	120	0.69	C	MX7-020-116323-487-K
2000	500	3000	560	136	330	M6	9.5	120	0.82	E	MX7-020-136330-567-K
2000	500	3000	585	136	330	M6	7.2	120	0.98	E	MX7-020-136330-587-K
2000	500	3000	620	136	330	M6	4.8	90	1.5	E	MX7-020-136330-627-K

**CAPACITANCE AND THREADS TERMINAL AVAILABLE AS CUSTOM.

(1) NON-REPETITIVE PEAK VOLTAGE LESS THAN 00MS TYP.

(2) NON-REPETITIVE PEAK CURRENT LESS THAN 00MS TYP.

(3) MEASURED AT 1KHZ ±20HZ AT 25°C

303 Hyundai I Valley ,149 Gongdanro, Gunpo City, Gyeonggido, Korea

VOICE. +82-31-429-6379 FAX. +82-31-429-9127

info@3RLab.com www.3RLab.com 3RLab,Inc.



UPDATE 2022-03-03

MX7

HIGH VOLTAGE DC CAPACITORS

HIGH DENSITY, LOW INDUCTANCE DC-LINK CAPACITORS ALUMINUM CASE
CUSTOM DESIGN AVAILABLE.



2000	500	3000	640	136	330	M6	12.9	120	0.65	E	MX7-020-136330-647-K
2000	500	3000	735	136	330	M6	10.5	120	0.82	E	MX7-020-136330-737-K

2200VDC, RATED VOLTAGE											
VOLTAGE [V]			CAP ⁽³⁾	DIMENSIONS[mm]			CURRENT		ESR (100kHz)	CASE TYPE	ORDERING CODE
VDC	V -RIPPLE	V-PEAK ⁽¹⁾	μF	D	L	TER- MINAL	I-PEAK ⁽²⁾ [kA]	I-RMS [A]	mΩ		
2200	550	3100	50	76	115	M6	1.2	35	1.9	A	MX7-022-076115-506-K
2200	550	3100	85	96	120	M6	1.2	40	2.9	B	MX7-022-096120-856-K
2200	550	3100	90	96	120	M6	2.1	55	1.2	B	MX7-022-096120-906-K
2200	550	3100	95	96	120	M6	4.1	75	0.68	B	MX7-022-096120-956-K
2200	550	3100	100	96	120	M6	2.3	60	1.3	B	MX7-022-096120-107-K
2200	550	3100	130	96	170	M6	3.0	70	1.2	B	MX7-022-096170-137-K
2200	550	3100	155	116	148	M6	2.1	60	1.7	C	MX7-022-116148-157-K
2200	550	3100	170	96	250	M6	2.3	65	1.9	B	MX7-022-096250-177-K
2200	550	3100	180	116	148	M6	4.2	90	0.88	C	MX7-022-116148-187-K
2200	550	3100	220	116	253	M6	3.0	80	1.5	C	MX7-022-116253-227-K
2200	550	3100	270	116	253	M6	6.3	65	0.78	C	MX7-022-116253-277-K
2200	550	3100	310	116	253	M6	4.3	120	1.2	C	MX7-022-116253-317-K
2200	550	3100	360	116	323	M6	8.4	90	0.78	C	MX7-022-116323-367-K
2200	550	3100	390	116	323	M6	9.1	120	0.7	C	MX7-022-116323-397-K
2200	550	3100	465	136	290	M6	6.4	120	1	E	MX7-022-136290-467-K
2200	550	3100	520	136	290	M6	12.1	120	0.72	E	MX7-022-136290-527-K
2200	550	3100	660	136	330	M6	8.9	120	0.89	E	MX7-022-136330-667-K

**CAPACITANCE AND THREADS TERMINAL AVAILABLE AS CUSTOM.

(1) NON-REPETITIVE PEAK VOLTAGE LESS THAN 00MS TYP.

(2) NON-REPETITIVE PEAK CURRENT LESS THAN 00MS TYP.

(3) MEASURED AT 1KHZ ±20HZ AT 25°C

MX7

HIGH VOLTAGE DC CAPACITORS

HIGH DENSITY, LOW INDUCTANCE DC-LINK CAPACITORS ALUMINUM CASE
CUSTOM DESIGN AVAILABLE.



2600VDC, RATED VOLTAGE											
VOLTAGE [V]			CAP ⁽³⁾	DIMENSIONS[mm]			CURRENT		ESR (100kHz)	CASE TYPE	ORDERING CODE
VDC	V-RIPPLE	V-PEAK ⁽¹⁾	μF	D	L	TER-MINAL	I-PEAK ⁽²⁾ [kA]	I-RMS [A]	mΩ		
2600	650	3900	95	96	170	M6	1.9	40	2.9	B	MX7-026-096170-956-K
2600	650	3900	120	96	250	M6	2.5	40	2.4	B	MX7-026-096250-127-K
2600	650	3900	175	116	203	M6	3.6	65	1.6	C	MX7-026-116203-177-K
2600	650	3900	350	136	330	M6	7.2	90	1.2	E	MX7-026-136330-357-K
2600	650	3900	450	136	330	M6	10.0	90	1.1	E	MX7-026-136330-457-K

3000VDC, RATED VOLTAGE											
VOLTAGE [V]			CAP ⁽³⁾	DIMENSIONS[mm]			CURRENT		ESR (100kHz)	CASE TYPE	ORDERING CODE
VDC	V-RIPPLE	V-PEAK ⁽¹⁾	μF	D	L	TER-MINAL	I-PEAK ⁽²⁾ [kA]	I-RMS [A]	mΩ		
3000	750	4500	45	96	120	M6	3.8	40	2.2	B	MX7-030-096120-456-K
3000	750	4500	50	96	170	M6	3.8	40	2.9	B	MX7-030-096170-506-K
3000	750	4500	70	96	170	M6	3.8	40	2.3	B	MX7-030-096170-706-K
3000	750	4500	75	96	170	M6	3.8	40	3.1	B	MX7-030-096170-756-K
3000	750	4500	85	116	148	M6	6.2	65	1.3	C	MX7-030-116148-856-K
3000	750	4500	95	96	250	M6	3.8	40	2.6	B	MX7-030-096250-956-K
3000	750	4500	100	116	148	M6	6.2	65	1.3	C	MX7-030-116148-107-K
3000	750	4500	120	116	253	M6	6.2	65	1	C	MX7-030-116253-127-K
3000	750	4500	135	116	253	M6	6.2	65	1.8	C	MX7-030-116253-137-K
3000	750	4500	170	116	323	M6	8.6	90	0.98	C	MX7-030-116323-177-K
3000	750	4500	200	116	323	M6	8.6	90	1.2	C	MX7-030-116323-207-K
3000	750	4500	255	136	290	M6	11.4	120	0.89	E	MX7-030-136290-257-K
3000	750	4500	280	136	330	M6	8.6	90	1	E	MX7-030-136330-287-K

**CAPACITANCE AND THREADS TERMINAL AVAILABLE AS CUSTOM.

(1) NON-REPETITIVE PEAK VOLTAGE LESS THAN 00MS TYP.

(2) NON-REPETITIVE PEAK CURRENT LESS THAN 00MS TYP.

(3) MEASURED AT 1KHZ ±20HZ AT 25°C

MX7

HIGH VOLTAGE DC CAPACITORS

HIGH DENSITY, LOW INDUCTANCE DC-LINK CAPACITORS ALUMINUM CASE
CUSTOM DESIGN AVAILABLE.



3200VDC, RATED VOLTAGE											
VOLTAGE [V]			CAP ⁽³⁾	DIMENSIONS[mm]			CURRENT		ESR (100kHz)	CASE TYPE	ORDERING CODE
VDC	V-RIPPLE	V-PEAK ⁽¹⁾	μF	D	L	TER-MINAL	I-PEAK ⁽²⁾ [kA]	I-RMS [A]	mΩ		
3200	800	4700	45	96	170	M6	1.5	40	2.9	B	MX7-032-096170-456-K
3200	800	4700	55	96	170	M6	1.8	40	2.5	B	MX7-032-096170-556-K
3200	800	4700	80	116	203	M6	2.7	65	1.7	C	MX7-032-116203-806-K
3200	800	4700	160	116	323	M6	5.3	90	1.2	C	MX7-032-116323-167-K
3200	800	4700	235	136	330	M6	7.8	90	1.1	E	MX7-032-136330-237-K

3600VDC, RATED VOLTAGE											
VOLTAGE [V]			CAP ⁽³⁾	DIMENSIONS[mm]			CURRENT		ESR (100kHz)	CASE TYPE	ORDERING CODE
VDC	V-RIPPLE	V-PEAK ⁽¹⁾	μF	D	L	TER-MINAL	I-PEAK ⁽²⁾ [kA]	I-RMS [A]	mΩ		
3600	900	5400	30	96	120	M6	3.3	35	2.5	B	MX7-036-096120-306-K
3600	900	5400	40	96	170	M6	3.8	40	3	B	MX7-036-096170-406-K
3600	900	5400	50	116	148	M6	3.8	40	2.5	C	MX7-036-116148-506-K
3600	900	5400	55	96	250	M6	5.7	60	1.5	B	MX7-036-096250-556-K
3600	900	5400	80	116	253	M6	7.6	80	1.5	C	MX7-036-116253-806-K
3600	900	5400	110	116	323	M6	8.6	90	1.1	C	MX7-036-116323-117-K
3600	900	5400	145	136	290	M6	8.6	90	1.3	E	MX7-036-136290-147-K
3600	900	5400	165	136	330	M6	11.4	120	0.95	E	MX7-036-136330-167-K

**CAPACITANCE AND THREADS TERMINAL AVAILABLE AS CUSTOM.

(1) NON-REPETITIVE PEAK VOLTAGE LESS THAN 00MS TYP.

(2) NON-REPETITIVE PEAK CURRENT LESS THAN 00MS TYP.

(3) MEASURED AT 1KHZ ±20HZ AT 25°C

ALL INFORMATION ON THIS FILE IS SUBJECT TO CHANGE WITHOUT PRE-NOTICE.

303 Hyundai I Valley ,149 Gongdanro, Gunpo City, Gyeonggido, Korea

VOICE. +82-31-429-6379 FAX. +82-31-429-9127

info@3RLab.com www.3RLab.com 3RLab,Inc.



UPDATE 2022-03-03