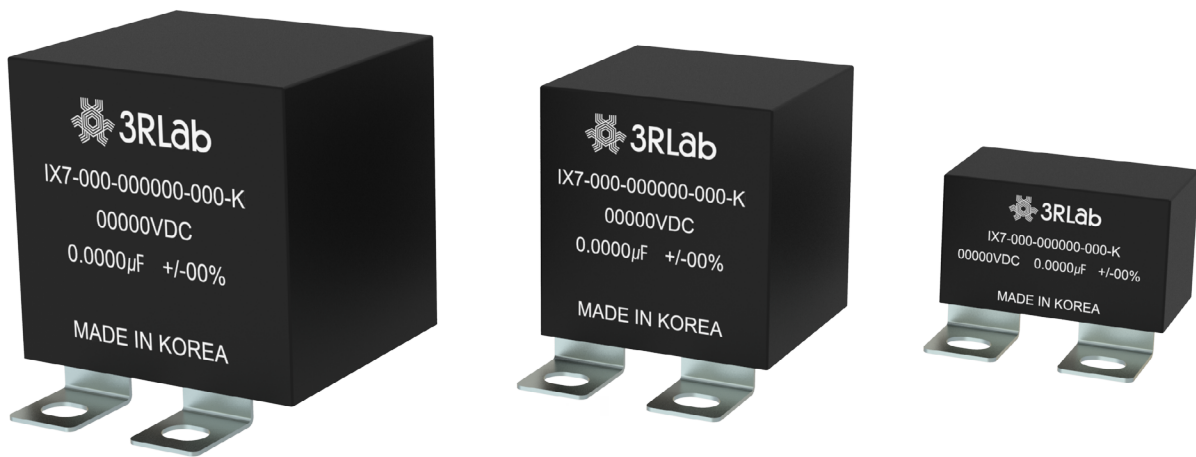


IGBT SNUBBER CAPACITORS  
CUSTOM DESIGN AVAILABLE

VOICE : +82-31-429-6379  
FAX : +82-31-429-9127  
E-MAIL : [info@3RLab.com](mailto:info@3RLab.com)  
UPDATE : 2021-11-03



## MAIN CHARACTERISTICS:

- SELF-HEALING METALLIZED POLYPROPYLENE FILM
- TAPE WRAP AND EPOXY FILL CASE
- EPOXY FILLING

## MAIN APPLICATIONS:

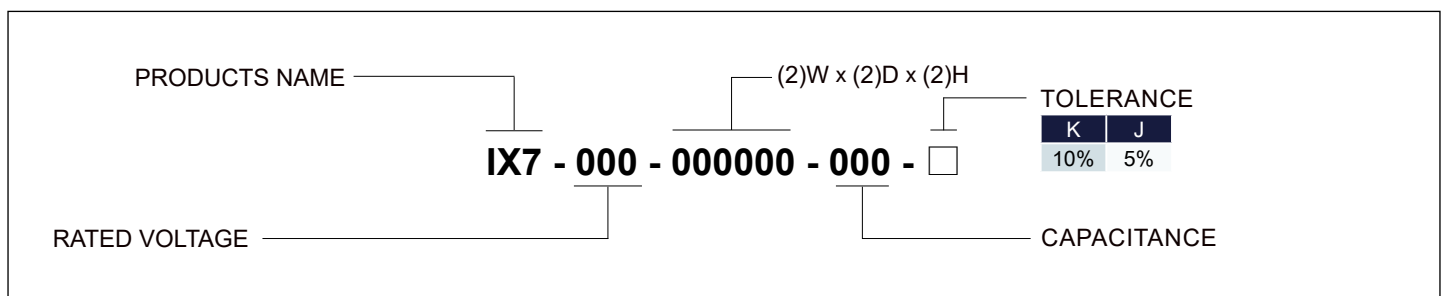
- SNUBBER
- HIGH CURRENT , HIGH PULSE APPLICATIONS
- ENERGY CONVERSION AND CONTROL IN POWER SEMICONDUCTOR CIRCUITS
- SMPS, SWITCHING APPLICATIONS , MOTER SPEED CONTROLS

IGBT SNUBBER CAPACITORS  
CUSTOM DESIGN AVAILABLE

VOICE : +82-31-429-6379  
FAX : +82-31-429-9127  
E-MAIL : info@3RLab.com  
UPDATE : 2021-11-03

DC VOLTAGE RANGE	600~10000 V
CAPACITANCE RANGE	UP TO 6 $\mu$ F
CAPACITANCE TOLERANCE (+25°C)	STANDARD: $\pm$ 10% ON REQUEST $\pm$ 5%
SERIES RESISTANCE	< 4.5 m $\Omega$
MAXIMUM VOLTAGE RATE OF RISE(dV/dT)	$\leq$ 3000 V/ $\mu$ s
TERMINALS	TINNED COPPER LUG
VOLTAGE TEST	RATED VOLTAGE X 1.5 TIMES FOR 10 SECS
WORKING & STORAGE TEMPERATURE	-55 / +85 °C
FILLING	FLAME RETARDANT EPOXY RESIN FILLING
PROTECTIVE MECHANISM	SELF HEALING
SQUARE CASE	PBT SQUARE BOX
LIFE EXPECTANCY	100,000 HOURS TYP.
SOLDERING HEAT TEST	TEMPERATURE = 260 $\pm$ 5°C FOR 10SECS
DISSIPATION FACTOR	DF VALUE $\leq$ 1 % , MEASURED AT 25 $\pm$ 5°C, 1 kHz

## ORDERING INFORMATION

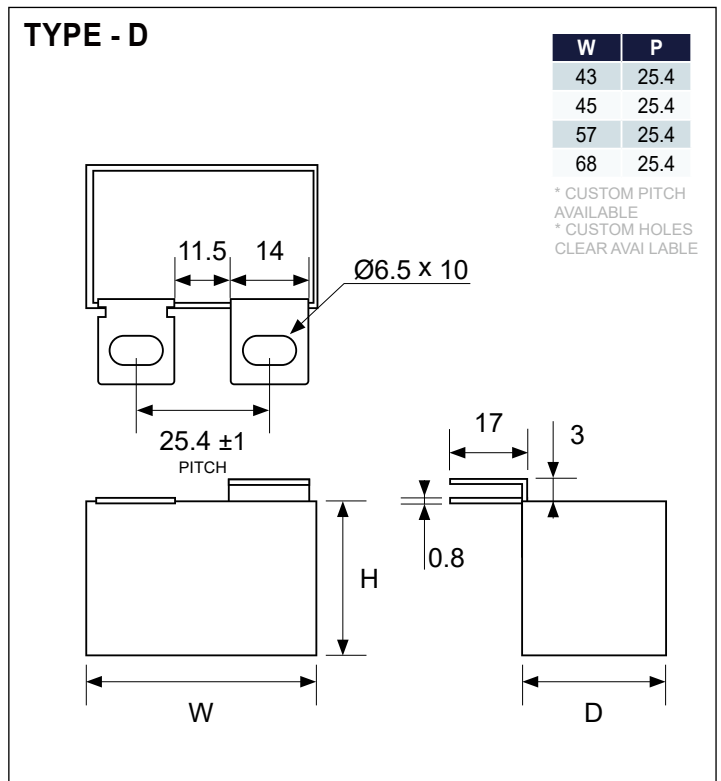
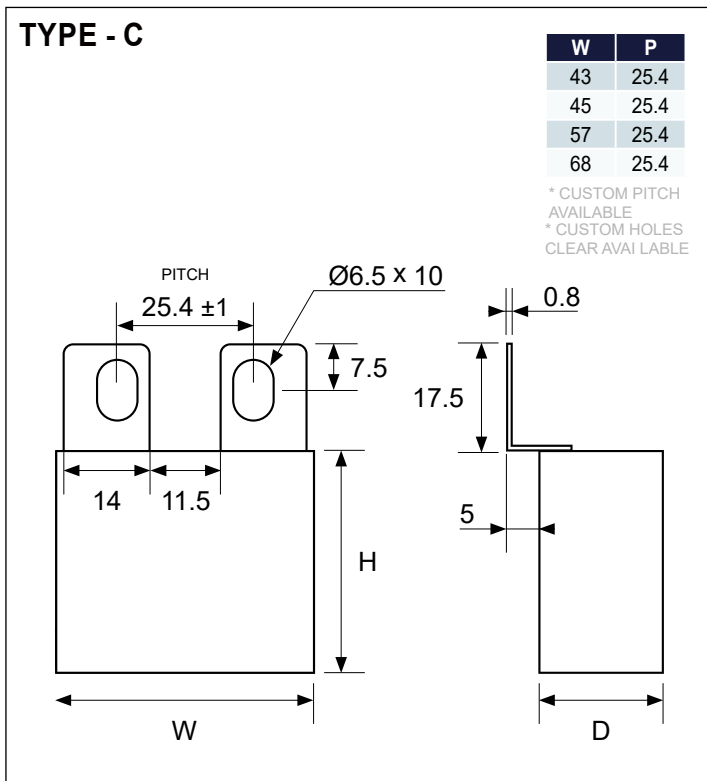
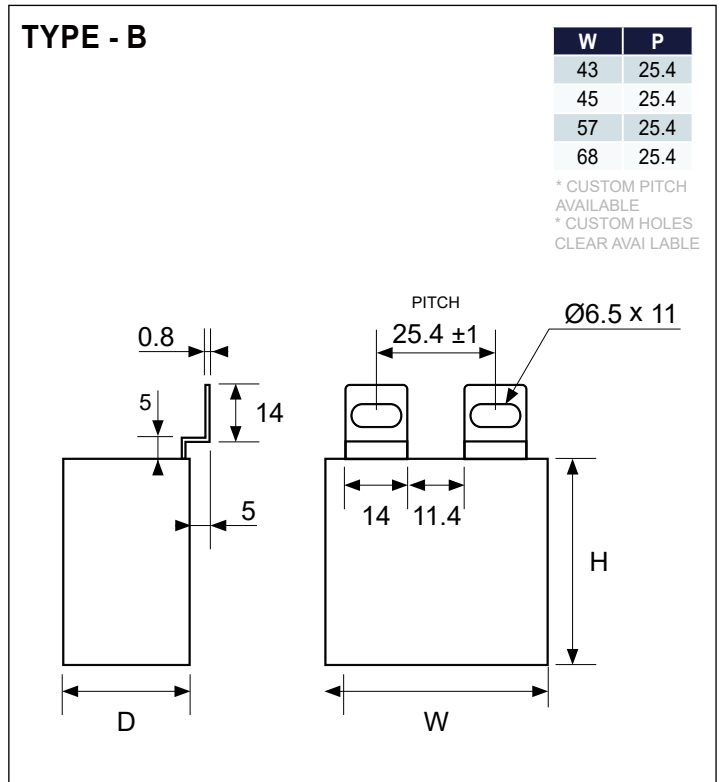
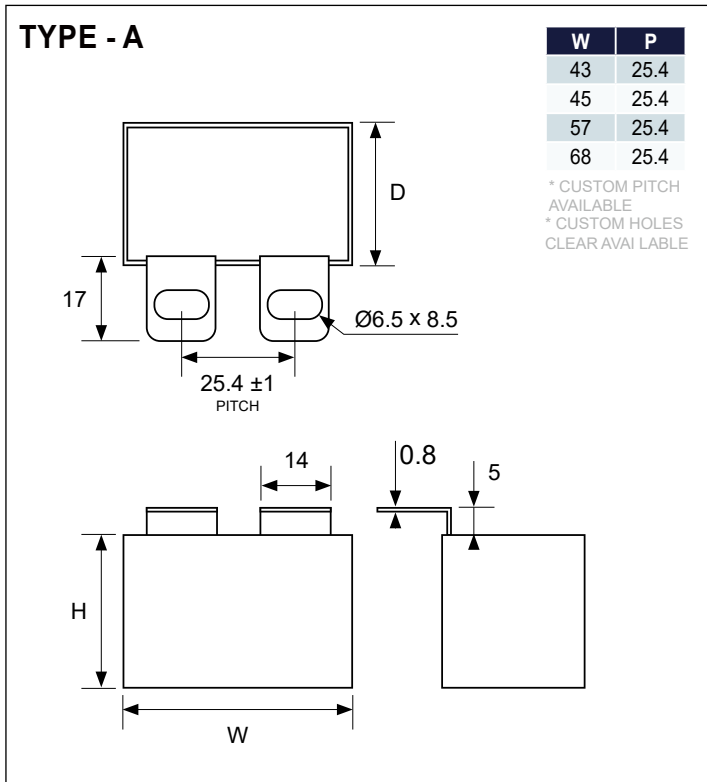


ALL OF SPECIFICATIONS SUBJECT TO CHANGE WITHOUT PRENOTICE.

IGBT SNUBBER CAPACITORS  
CUSTOM DESIGN AVAILABLE

VOICE : +82-31-429-6379  
FAX : +82-31-429-9127  
E-MAIL : info@3RLab.com  
UPDATE : 2021-11-03

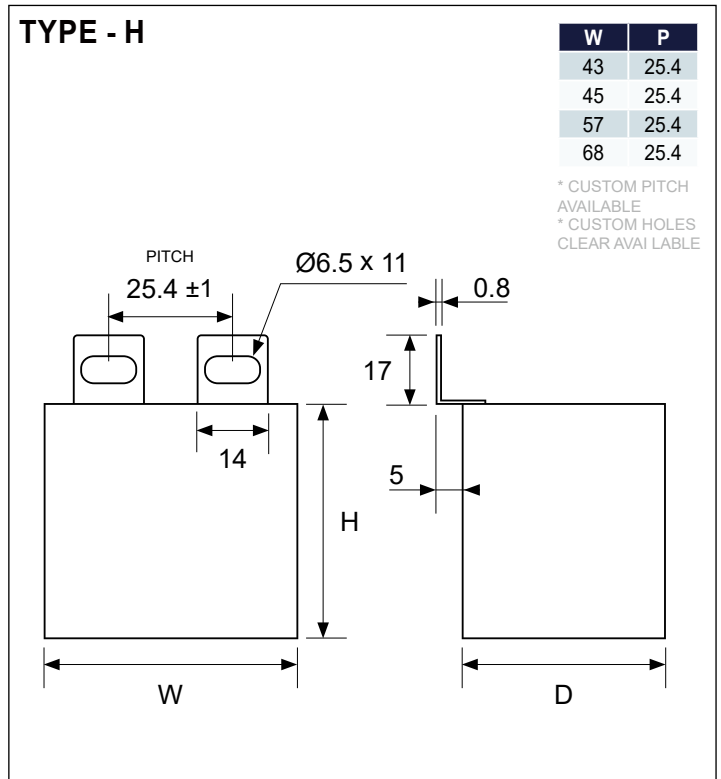
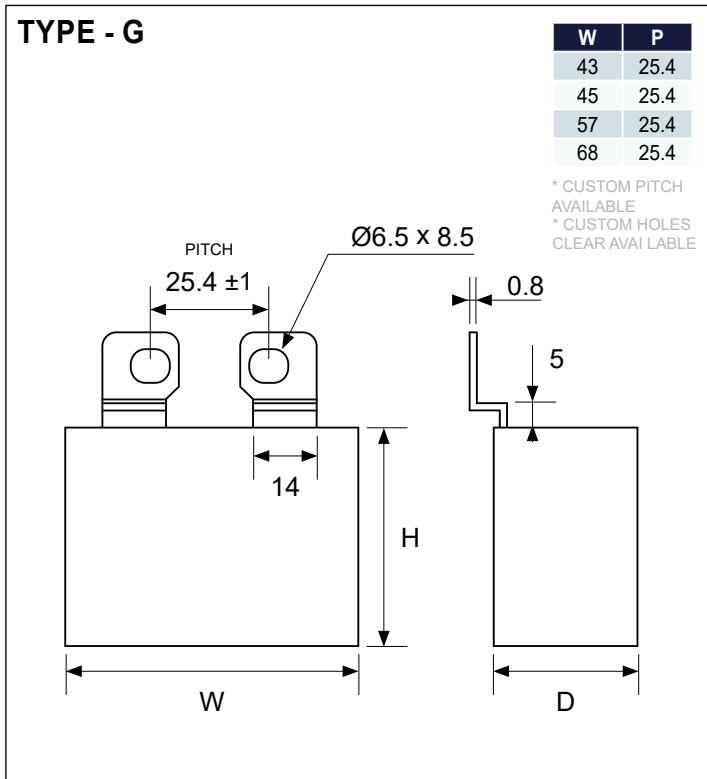
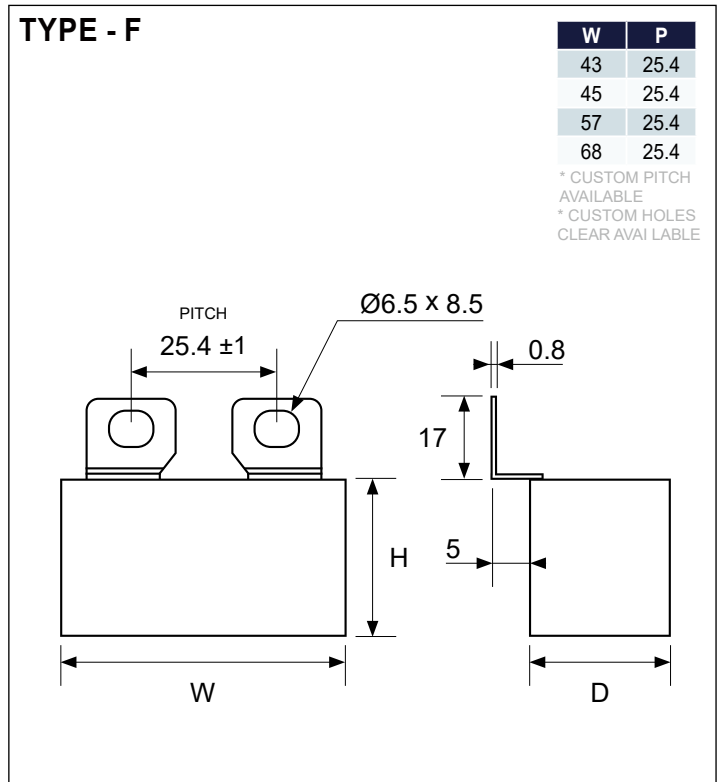
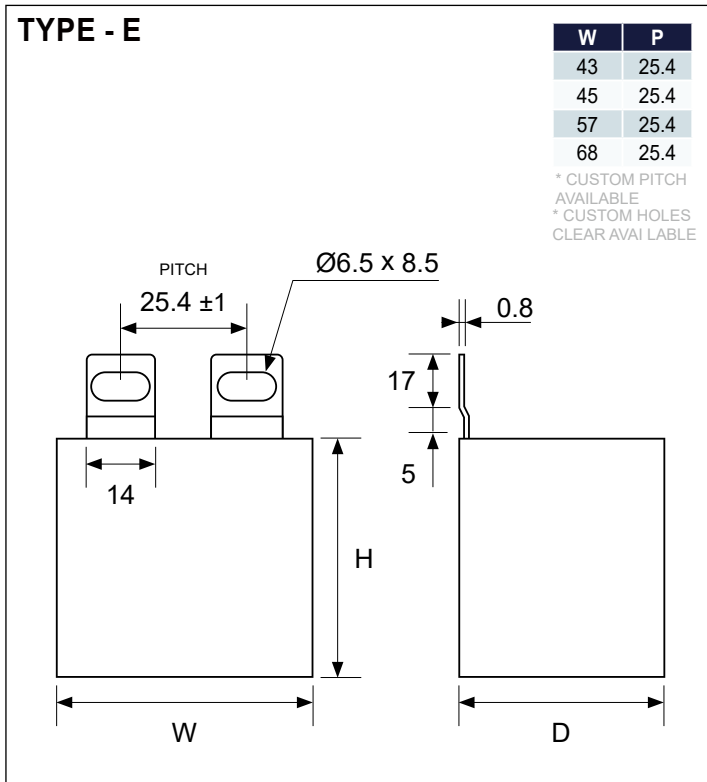
## DIEMENSIONS[mm]



IGBT SNUBBER CAPACITORS  
CUSTOM DESIGN AVAILABLE

VOICE : +82-31-429-6379  
FAX : +82-31-429-9127  
E-MAIL : info@3RLab.com  
UPDATE : 2021-11-03

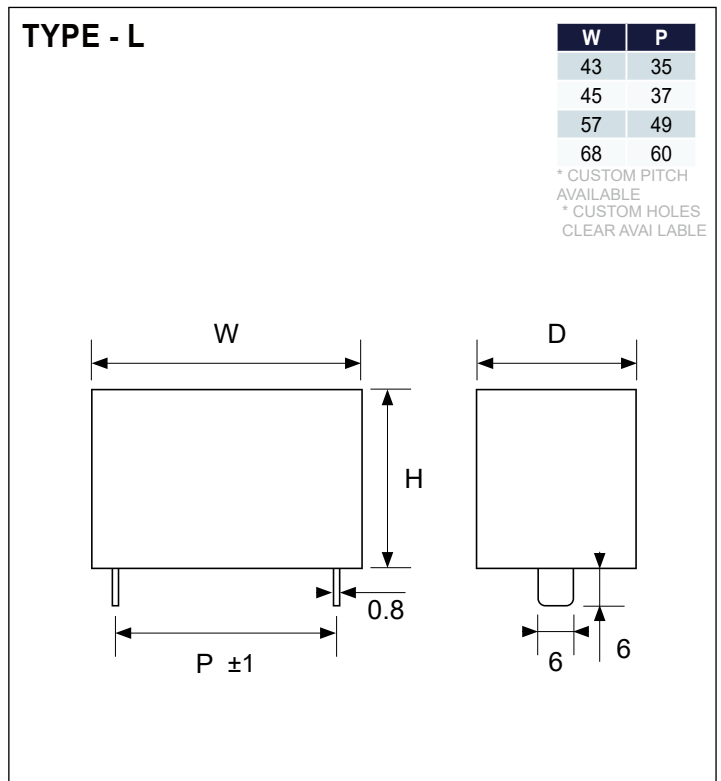
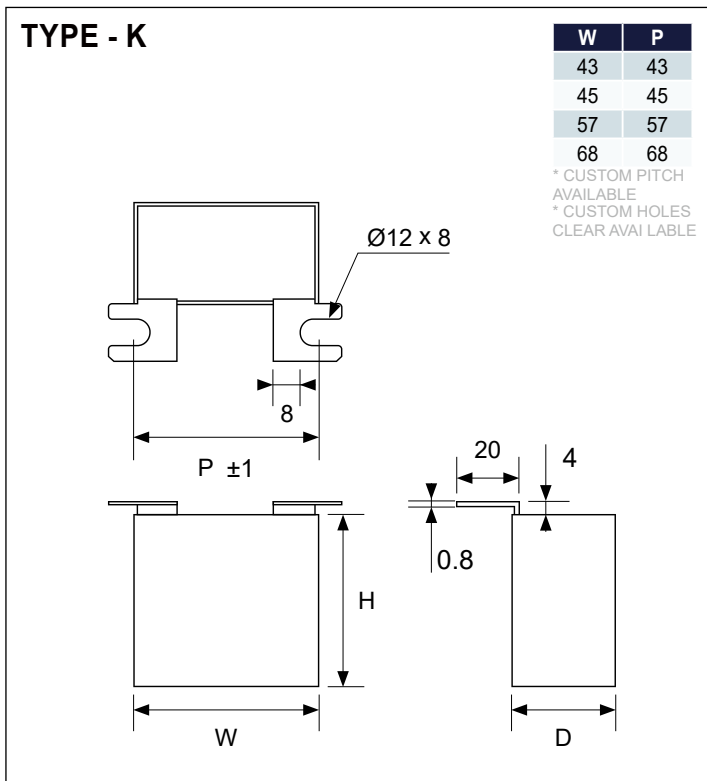
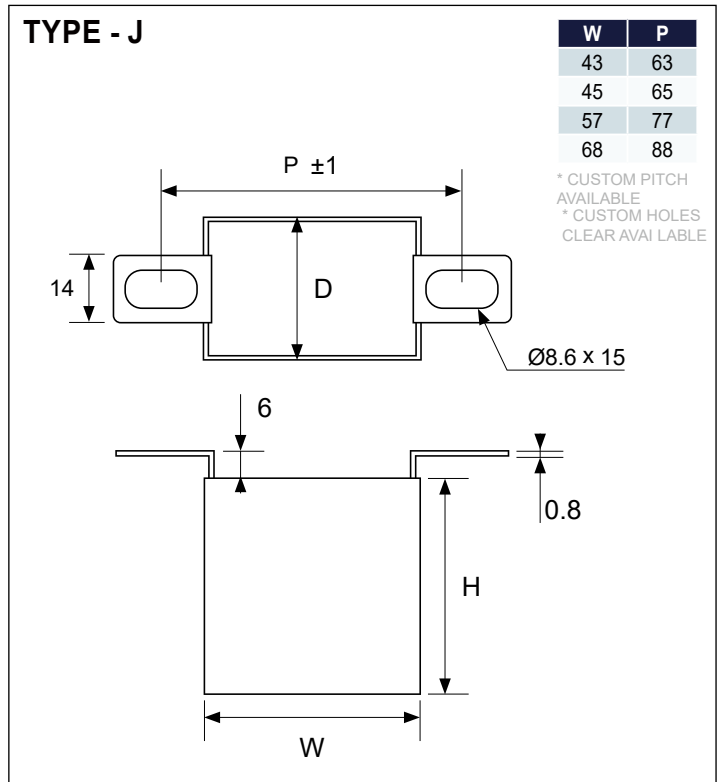
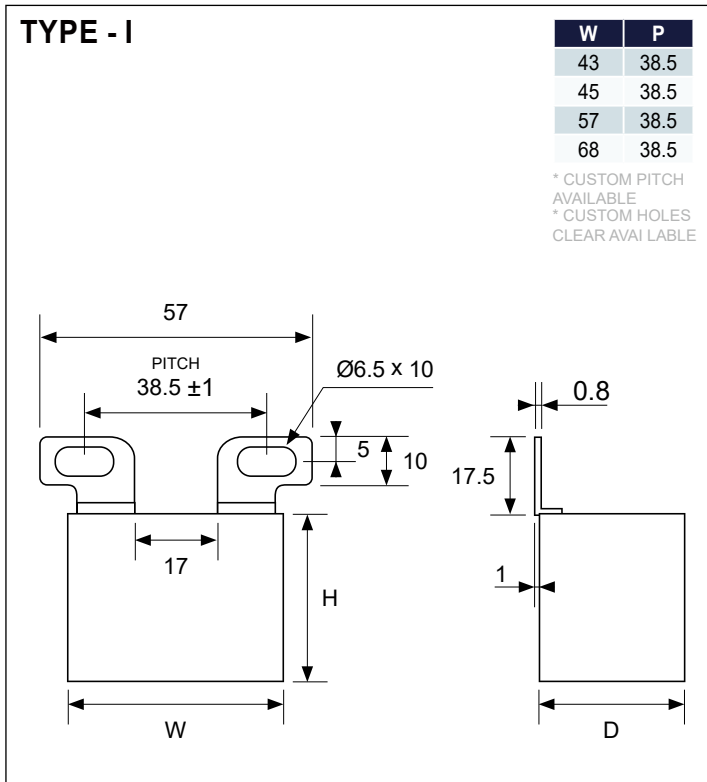
## DIEMENSIONS[mm]



IGBT SNUBBER CAPACITORS  
CUSTOM DESIGN AVAILABLE

VOICE : +82-31-429-6379  
FAX : +82-31-429-9127  
E-MAIL : info@3RLab.com  
UPDATE : 2021-11-03

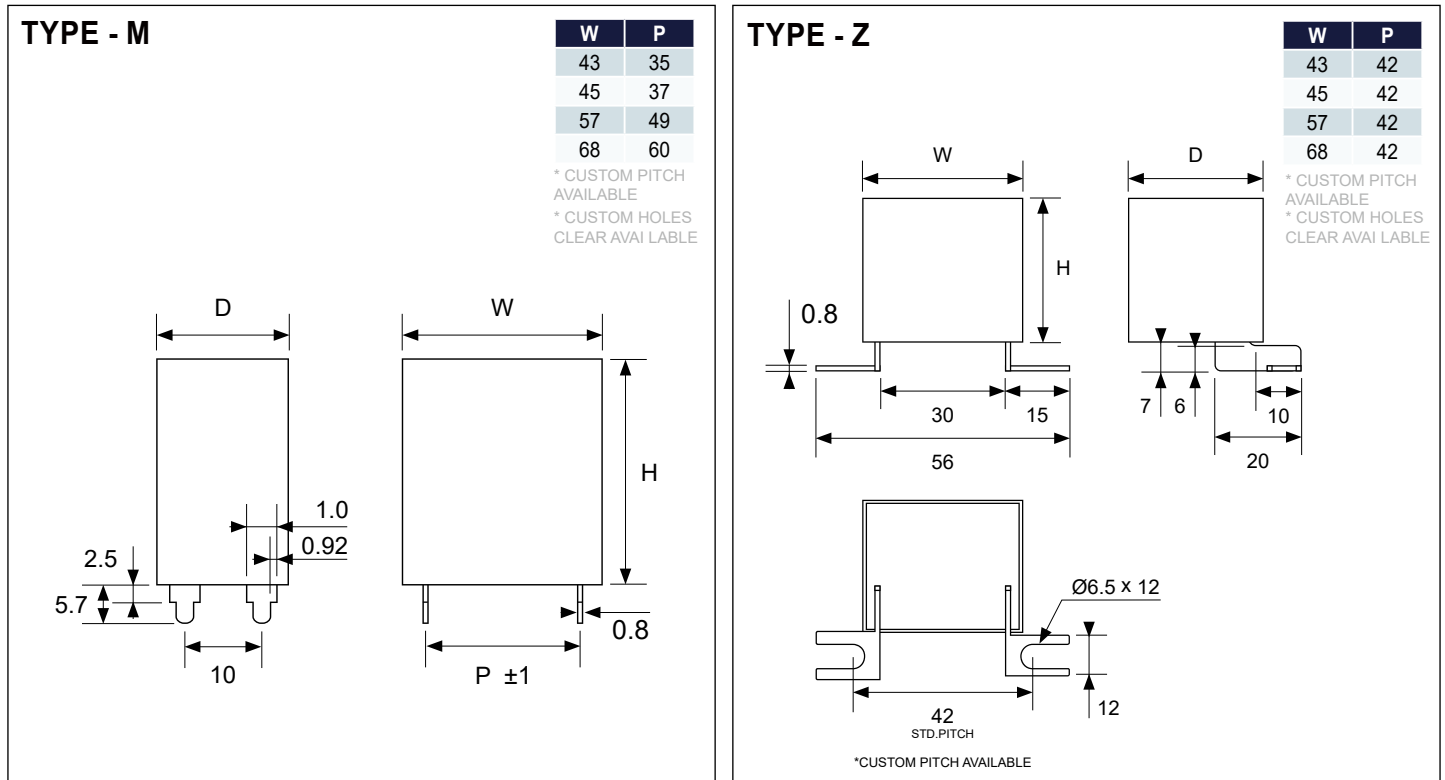
## DIEMENSIONS[mm]



IGBT SNUBBER CAPACITORS  
CUSTOM DESIGN AVAILABLE

VOICE : +82-31-429-6379  
FAX : +82-31-429-9127  
E-MAIL : info@3RLab.com  
UPDATE : 2021-11-03

## DIEMENSIONS[mm]



IGBT SNUBBER CAPACITORS  
CUSTOM DESIGN AVAILABLE

VOICE : +82-31-429-6379  
FAX : +82-31-429-9127  
E-MAIL : info@3RLab.com  
UPDATE : 2021-11-03

## 600VDC, RATED VOLTAGE

VOLTAGE		CAP <sup>(3)</sup> μF	DIMENSIONS [mm]				CURRENT	ORDERING CODE
VDC	V -PEAK <sup>(1)</sup>		D	W	H	PITCH <sup>(4)</sup>	I-PEAK <sup>(2)</sup> [A]	
600	950	0.33	25.5	43	25.5	25.4	198	IX7-006-254325-334-K
600	950	0.47	25.5	43	25.5	25.4	282	IX7-006-254325-474-K
600	950	0.68	25.5	43	25.5	25.4	408	IX7-006-254325-684-K
600	950	1	35	45	35.5	25.4	600	IX7-006-354535-105-K
600	950	1.2	35	45	35.5	25.4	720	IX7-006-354535-125-K
600	950	1.5	35	45	35.5	25.4	900	IX7-006-354535-155-K
600	950	2	35	45	35.5	25.4	1200	IX7-006-354535-205-K
600	950	2.2	42	45	47	25.4	1320	IX7-006-424547-225-K
600	950	2.5	42	45	47	25.4	1500	IX7-006-424547-255-K
600	950	3	42	45	47	25.4	1800	IX7-006-424547-305-K
600	950	3.3	42	45	47	25.4	1980	IX7-006-424547-335-K
600	950	4	40	57	55	25.4	1800	IX7-006-405755-405-K
600	950	4.7	50	57	55	25.4	2115	IX7-006-505755-475-K
600	950	5	50	57	55	25.4	2250	IX7-006-505755-505-K
600	950	5.5	50	57	55	25.4	2475	IX7-006-505755-555-K
600	950	6	50	57	55	25.4	2700	IX7-006-505755-605-K

\*\*CAPACITANCE AND THREADS TERMINAL AVAILABLE AS CUSTOM.

(1) NON-REPETITIVE PEAK VOLTAGE LESS THAN 00μS TYP.

(2) NON-REPETITIVE PEAK CURRENT LESS THAN 00μS TYP.

(3) MEASURED AT 1kHz ±20Hz AT 25°C

(4) THIS PITCH DIMENSION APPLIES ONLY TO STANDARD MODELS.

3RLAB PROVIDE VARIOUS TYPES OF CAPACITORS. PLEASE CHECK THE OTHER TERMINAL STYLE MODEL DIMENSIONS PAGE.

## 800VDC, RATED VOLTAGE

VOLTAGE		CAP <sup>(3)</sup> μF	DIMENSIONS [mm]				CURRENT	ORDERING CODE
VDC	V -PEAK <sup>(1)</sup>		D	W	H	PITCH <sup>(4)</sup>	I-PEAK <sup>(2)</sup> [A]	
800	1250	0.33	25.5	43	25.5	25.4	231	IX7-008-254325-334-K
800	1250	0.47	25.5	43	25.5	25.4	329	IX7-008-254325-474-K
800	1250	0.68	25.5	43	25.5	25.4	476	IX7-008-254325-684-K
800	1250	1	35	45	35.5	25.4	700	IX7-008-354535-105-K
800	1250	1.2	35	45	35.5	25.4	840	IX7-008-354535-125-K
800	1250	1.5	35	45	35.5	25.4	1050	IX7-008-354535-155-K
800	1250	2	42	45	47	25.4	1400	IX7-008-424547-205-K
800	1250	2.2	42	45	47	25.4	1540	IX7-008-424547-225-K
800	1250	2.5	42	45	47	25.4	1750	IX7-008-424547-255-K
800	1250	3	40	57	55	25.4	1650	IX7-008-405755-305-K
800	1250	3.3	40	57	55	25.4	1815	IX7-008-405755-335-K
800	1250	4	50	57	55	25.4	2200	IX7-008-505755-405-K
800	1250	4.7	50	57	55	25.4	2585	IX7-008-505755-475-K
800	1250	5	50	57	55	25.4	2750	IX7-008-505755-505-K

## 1000VDC, RATED VOLTAGE

1000	1550	0.33	25.5	43	25.5	25.4	281	IX7-010-254325-334-K
1000	1550	0.47	25.5	43	25.5	25.4	400	IX7-010-254325-474-K
1000	1550	0.68	35	45	35.5	25.4	578	IX7-010-354535-684-K

\*\*CAPACITANCE AND THREADS TERMINAL AVAILABLE AS CUSTOM.

(1) NON-REPETITIVE PEAK VOLTAGE LESS THAN 00μS TYP.

(2) NON-REPETITIVE PEAK CURRENT LESS THAN 00μS TYP.

(3) MEASURED AT 1kHz ±20Hz AT 25°C

(4) THIS PITCH DIMENSION APPLIES ONLY TO STANDARD MODELS.

3RLAB PROVIDE VARIOUS TYPES OF CAPACITORS. PLEASE CHECK THE **OTHER TERMINAL STYLE MODEL DIMENSIONS PAGE.**



IGBT SNUBBER CAPACITORS  
CUSTOM DESIGN AVAILABLE

VOICE : +82-31-429-6379  
FAX : +82-31-429-9127  
E-MAIL : info@3RLab.com  
UPDATE : 2021-11-03

## 1000VDC, RATED VOLTAGE

VOLTAGE		CAP <sup>(3)</sup> μF	DIMENSIONS [mm]				CURRENT	ORDERING CODE
VDC	V -PEAK <sup>(1)</sup>		D	W	H	PITCH <sup>(4)</sup>	I-PEAK <sup>(2)</sup> [A]	
1000	1550	1	35	45	35.5	25.4	850	IX7-010-354535-105-K
1000	1550	1.2	42	45	47	25.4	1020	IX7-010-424547-125-K
1000	1550	1.5	42	45	47	25.4	1275	IX7-010-424547-155-K
1000	1550	2	42	45	47	25.4	1700	IX7-010-424547-205-K
1000	1550	2.2	40	57	55	25.4	990	IX7-010-405755-225-K
1000	1550	2.5	40	57	55	25.4	1125	IX7-010-405755-255-K
1000	1550	3	50	57	55	25.4	1350	IX7-010-505755-305-K
1000	1550	3.3	50	57	55	25.4	1485	IX7-010-505755-335-K
1000	1550	4	50	57	55	25.4	1800	IX7-010-505755-405-K

## 1200VDC, RATED VOLTAGE

1200	1800	0.22	25.5	43	25.5	25.4	220	IX7-012-254325-224-K
1200	1800	0.33	25.5	43	25.5	25.4	330	IX7-012-254325-334-K
1200	1800	0.47	35	45	35.5	25.4	470	IX7-012-354535-474-K
1200	1800	0.68	35	45	35.5	25.4	680	IX7-012-354535-684-K
1200	1800	1	42	45	47	25.4	1000	IX7-012-424547-105-K
1200	1800	1.2	42	45	47	25.4	1200	IX7-012-424547-125-K
1200	1800	1.5	42	45	47	25.4	1500	IX7-012-424547-155-K
1200	1800	2	40	57	55	25.4	1100	IX7-012-405755-205-K

\*\*CAPACITANCE AND THREADS TERMINAL AVAILABLE AS CUSTOM.

(1) NON-REPETITIVE PEAK VOLTAGE LESS THAN 00μS TYP.

(2) NON-REPETITIVE PEAK CURRENT LESS THAN 00μS TYP.

(3) MEASURED AT 1kHz ±20Hz AT 25°C

(4) THIS PITCH DIMENSION APPLIES ONLY TO STANDARD MODELS.

3RLAB PROVIDE VARIOUS TYPES OF CAPACITORS. PLEASE CHECK THE **OTHER TERMINAL STYLE MODEL DIMENSIONS PAGE.**

IGBT SNUBBER CAPACITORS  
CUSTOM DESIGN AVAILABLE

VOICE : +82-31-429-6379  
FAX : +82-31-429-9127  
E-MAIL : info@3RLab.com  
UPDATE : 2021-11-03

## 1200VDC, RATED VOLTAGE

VOLTAGE		CAP <sup>(3)</sup> μF	DIMENSIONS [mm]				CURRENT I-PEAK <sup>(2)</sup> [A]	ORDERING CODE
VDC	V -PEAK <sup>(1)</sup>		D	W	H	PITCH <sup>(4)</sup>		
1200	1800	2.2	50	57	55	25.4	1210	IX7-012-505755-225-K
1200	1800	2.5	50	57	55	25.4	1375	IX7-012-505755-255-K
1200	1800	3	50	57	55	25.4	1650	IX7-012-505755-305-K

## 1600VDC, RATED VOLTAGE

1600	2400	0.1	25.5	43	25.5	25.4	110	IX7-016-254325-104-K
1600	2400	0.15	25.5	43	25.5	25.4	165	IX7-016-254325-154-K
1600	2400	0.22	25.5	43	25.5	25.4	242	IX7-016-254325-224-K
1600	2400	0.33	35	45	35.5	25.4	363	IX7-016-354535-334-K
1600	2400	0.47	35	45	35.5	25.4	517	IX7-016-354535-474-K
1600	2400	0.68	42	45	47	25.4	748	IX7-016-424547-684-K
1600	2400	1	42	45	47	25.4	1100	IX7-016-424547-105-K
1600	2400	1.2	40	57	55	25.4	720	IX7-016-405755-125-K
1600	2400	1.5	50	57	55	25.4	900	IX7-016-505755-155-K
1600	2400	2	50	57	55	25.4	1200	IX7-016-505755-205-K
1600	2400	2.2	50	57	55	25.4	1320	IX7-016-505755-225-K
1600	2400	2.5	50	57	55	25.4	1500	IX7-016-505755-255-K

\*\*CAPACITANCE AND THREADS TERMINAL AVAILABLE AS CUSTOM.

(1) NON-REPETITIVE PEAK VOLTAGE LESS THAN 00μS TYP.

(2) NON-REPETITIVE PEAK CURRENT LESS THAN 00μS TYP.

(3) MEASURED AT 1kHz ±20Hz AT 25°C

(4) THIS PITCH DIMENSION APPLIES ONLY TO STANDARD MODELS.

3RLAB PROVIDE VARIOUS TYPES OF CAPACITORS. PLEASE CHECK THE OTHER TERMINAL STYLE MODEL DIMENSIONS PAGE.

## 2000VDC, RATED VOLTAGE

VOLTAGE		CAP <sup>(3)</sup> μF	DIMENSIONS [mm]				CURRENT	ORDERING CODE
VDC	V -PEAK <sup>(1)</sup>		D	W	H	PITCH <sup>(4)</sup>	I-PEAK <sup>(2)</sup> [A]	
2000	3000	0.1	25.5	43	25.5	25.4	125	IX7-020-254325-104-K
2000	3000	0.15	25.5	43	25.5	25.4	188	IX7-020-254325-154-K
2000	3000	0.22	35	45	35.5	25.4	275	IX7-020-354535-224-K
2000	3000	0.33	35	45	35.5	25.4	413	IX7-020-354535-334-K
2000	3000	0.47	42	45	47	25.4	588	IX7-020-424547-474-K
2000	3000	0.68	42	45	47	25.4	850	IX7-020-424547-684-K
2000	3000	1	40	57	55	25.4	950	IX7-020-405755-105-K
2000	3000	1.2	40	57	55	25.4	1140	IX7-020-405755-125-K
2000	3000	1.5	50	57	55	25.4	1425	IX7-020-505755-155-K
2000	3000	2	50	57	55	25.4	1900	IX7-020-505755-205-K
2000	3000	2.2	50	68	55	25.4	1650	IX7-020-506855-225-K
2000	3000	2.5	50	68	55	25.4	1875	IX7-020-506855-255-K

\*\*CAPACITANCE AND THREADS TERMINAL AVAILABLE AS CUSTOM.

(1) NON-REPETITIVE PEAK VOLTAGE LESS THAN 00μS TYP.

(2) NON-REPETITIVE PEAK CURRENT LESS THAN 00μS TYP.

(3) MEASURED AT 1kHz ±20Hz AT 25°C

(4) THIS PITCH DIMENSION APPLIES ONLY TO STANDARD MODELS.

3RLAB PROVIDE VARIOUS TYPES OF CAPACITORS. PLEASE CHECK THE OTHER TERMINAL STYLE MODEL DIMENSIONS PAGE.

IGBT SNUBBER CAPACITORS  
CUSTOM DESIGN AVAILABLE

VOICE : +82-31-429-6379  
FAX : +82-31-429-9127  
E-MAIL : info@3RLab.com  
UPDATE : 2021-11-03

## 3000VDC, RATED VOLTAGE

VOLTAGE		CAP <sup>(3)</sup> μF	DIMENSIONS [mm]				CURRENT I-PEAK <sup>(2)</sup> [A]	ORDERING CODE
VDC	V -PEAK <sup>(1)</sup>		D	W	H	PITCH <sup>(4)</sup>		
3000	4500	0.068	25.5	43	25.5	25.4	122	IX7-030-254325-683-K
3000	4500	0.1	25.5	43	25.5	25.4	180	IX7-030-254325-104-K
3000	4500	0.15	35	45	35.5	25.4	270	IX7-030-354535-154-K
3000	4500	0.22	35	45	35.5	25.4	396	IX7-030-354535-224-K
3000	4500	0.33	42	45	47	25.4	594	IX7-030-424547-334-K
3000	4500	0.47	40	57	55	25.4	705	IX7-030-405755-474-K
3000	4500	0.68	50	57	55	25.4	1020	IX7-030-505755-684-K
3000	4500	1	50	57	55	25.4	1500	IX7-030-505755-105-K
3000	4500	1.2	50	68	55	25.4	1560	IX7-030-506855-125-K

## 4000VDC, RATED VOLTAGE

4000	6000	0.1	35	45	35.5	42	220	IX7-040-354535-104-K
4000	6000	0.15	42	45	47	42	330	IX7-040-424547-154-K
4000	6000	0.22	42	45	47	42	385	IX7-040-424547-224-K
4000	6000	0.33	40	57	55	42	578	IX7-040-405755-334-K
4000	6000	0.47	50	57	55	42	823	IX7-040-505755-474-K
4000	6000	0.68	50	68	55	42	1020	IX7-040-506855-684-K

\*\*CAPACITANCE AND THREADS TERMINAL AVAILABLE AS CUSTOM.

(1) NON-REPETITIVE PEAK VOLTAGE LESS THAN 00μS TYP.

(2) NON-REPETITIVE PEAK CURRENT LESS THAN 00μS TYP.

(3) MEASURED AT 1kHz ±20Hz AT 25°C

(4) THIS PITCH DIMENSION APPLIES ONLY TO STANDARD MODELS.

3RLAB PROVIDE VARIOUS TYPES OF CAPACITORS. PLEASE CHECK THE OTHER TERMINAL STYLE MODEL DIMENSIONS PAGE.

IGBT SNUBBER CAPACITORS  
CUSTOM DESIGN AVAILABLE

VOICE : +82-31-429-6379  
FAX : +82-31-429-9127  
E-MAIL : info@3RLab.com  
UPDATE : 2021-11-03

## 5000VDC, RATED VOLTAGE

VOLTAGE		CAP <sup>(3)</sup> μF	DIMENSIONS [mm]				CURRENT I-PEAK <sup>(2)</sup> [A]	ORDERING CODE
VDC	V -PEAK <sup>(1)</sup>		D	W	H	PITCH <sup>(4)</sup>		
5000	7000	0.047	35	45	35.5	42	118	IX7-050-354535-473-K
5000	7000	0.068	35	45	35.5	42	170	IX7-050-354535-683-K
5000	7000	0.1	42	45	47	42	250	IX7-050-424547-104-K
5000	7000	0.15	42	45	47	42	375	IX7-050-424547-154-K
5000	7000	0.22	40	57	55	42	418	IX7-050-405755-224-K
5000	7000	0.33	50	57	55	42	627	IX7-050-505755-334-K
5000	7000	0.47	50	68	55	42	776	IX7-050-506855-474-K

## 8000VDC, RATED VOLTAGE

8000	11500	0.01	35	45	35.5	42	27	IX7-080-354535-103-K
8000	11500	0.015	35	45	35.5	42	41	IX7-080-354535-153-K
8000	11500	0.022	42	45	47	42	59	IX7-080-424547-223-K
8000	11500	0.033	35	57	50	42	69	IX7-080-355750-333-K
8000	11500	0.047	35	57	50	42	99	IX7-080-355750-473-K
8000	11500	0.068	40	57	55	42	143	IX7-080-405755-683-K
8000	11500	0.1	50	57	55	42	210	IX7-080-505755-104-K
8000	11500	0.15	50	68	55	42	270	IX7-080-506855-154-K

\*\*CAPACITANCE AND THREADS TERMINAL AVAILABLE AS CUSTOM.

(1) NON-REPETITIVE PEAK VOLTAGE LESS THAN 00μS TYP.

(2) NON-REPETITIVE PEAK CURRENT LESS THAN 00μS TYP.

(3) MEASURED AT 1kHz ±20Hz AT 25°C

(4) THIS PITCH DIMENSION APPLIES ONLY TO STANDARD MODELS.

3RLAB PROVIDE VARIOUS TYPES OF CAPACITORS. PLEASE CHECK THE OTHER TERMINAL STYLE MODEL DIMENSIONS PAGE.

## 10000VDC, RATED VOLTAGE

VOLTAGE		CAP <sup>(3)</sup> μF	DIMENSIONS [mm]				CURRENT	ORDERING CODE
VDC	V -PEAK <sup>(1)</sup>		D	W	H	PITCH <sup>(4)</sup>	I-PEAK <sup>(2)</sup> [A]	
10000	14000	0.0068	35	45	35.5	42	20	IX7-100-354535-682-K
10000	14000	0.01	35	45	35.5	42	30	IX7-100-354535-103-K
10000	14000	0.015	42	45	47	42	45	IX7-100-424547-153-K
10000	14000	0.022	35	57	50	42	53	IX7-100-355750-223-K
10000	14000	0.033	40	57	55	42	79	IX7-100-405755-333-K
10000	14000	0.047	50	57	55	42	113	IX7-100-505755-473-K
10000	14000	0.068	50	57	55	42	163	IX7-100-505755-683-K
10000	14000	0.1	50	68	55	42	210	IX7-100-506855-104-K

\*\*CAPACITANCE AND THREADS TERMINAL AVAILABLE AS CUSTOM.

(1) NON-REPETITIVE PEAK VOLTAGE LESS THAN 00μS TYP.

(2) NON-REPETITIVE PEAK CURRENT LESS THAN 00μS TYP.

(3) MEASURED AT 1kHz ±20Hz AT 25°C

(4) THIS PITCH DIMENSION APPLIES ONLY TO STANDARD MODELS.

3RLAB PROVIDE VARIOUS TYPES OF CAPACITORS. PLEASE CHECK THE **OTHER TERMINAL STYLE MODEL DIMENSIONS PAGE.**

ALL INFORMATION ON THIS FILE IS SUBJECT TO CHANGE WITHOUT PRE-NOTICE.