

CD-SERIES

CAPACITIVE HIGH VOLTAGE PULSE DIVIDERS IN OIL & AIR



High Voltage Square Pulse & Pulses,
Wave-shape Signal upto 150kVp 300kVp 500kVp in oil ,
Voltage ratio 10000/1 in normal & custom available.

VOICE : +82-31-429-6379
FAX : +82-31-429-9127
E-MAIL : info@3RLab.com



CD-series, Capacitive High Voltage Dividers Pulse, (AC p-p), Dividers in Oil & Air

CD-series are Capacitive high voltage dividers used for the measurement of pulse voltages 150kVp 300kVp 500kVp in stock and up to 1000 kilovolts as custom. 3RLab's high quality and high stability voltage dividers can be coordinated with various design and size in client's application of projects, to show in 1MΩ 12pF oscilloscope , as well as analogue output. 3RLab can supply more detail of test results and data, Almost specified data for the high voltage engineering what tested from High Voltage Square Pulse Modulator in our factory. The voltage ratio able to adjustable in user's factory simply. Various custom design available. For example, size, voltage ratio, matching impedance, out-put type (to scope, analogue to user's equipment) please contact 3RLab, Inc.

Model Number	Unit	CD-150	CD-300	CD-500	Remarks
Max. Pulse Voltage in Oil	[kVp]	150	300	500	
Max. Pulse Voltage in Air	[kVp]	25	50	70	
Voltage Ratio in Oil (standard calibration)		5000/1			
Dielectric constant of the insulating oil & name					
Voltage Ratio in Air		11500/1	11500/1 or 23000/1	23000/1	Apprx.
Frequency Range, into 1MΩ load		15 Hz to 4MHz typ. and See Fig. Nr.:			
Basically attached & supply of RG cable length	[M]	1	1	1	
Ratio Shift vs RG cable length into 1 MΩ load		See Fig. Nr. :			
Rise time at square pulse	[nSec]	100nSec ~ 200nSec. typ. See Fig. Nr. :			
Capacitance (apprx.) in High 'C1' , See Fig. Nr. :	[pF]				w/o 'CG', Apprx.
Temp. in oil and capacitance derating rate			See Fig. Nr. :		Voltage Ratio Shift
Slope rate of the pulse shape vs Pulse duration	[%]		See Fig. Nr. :		refer to 5μSec
Material of High Voltage Electrode			Aluminum		
Terminal type of the top in High Voltage Electrode		Corona Ring & M5 bolt	Corona Ring & M6 bolt		
Material of Bottom/Guard Case			Aluminum		
Material of Bottom Plate			Aluminum		
Material of Upper/High Voltage Insulating Tube**			Poly Carbonate		**do not dip in organic solvent
Drain Oil from Bottom Case		Yes, Available through holes in bottom plate & bottom case			
HV connection methods on HV electrode			See Fig. Nr. :		
How to away the Ground from HV electrode			See Fig. Nr. :		



CD-SERIES

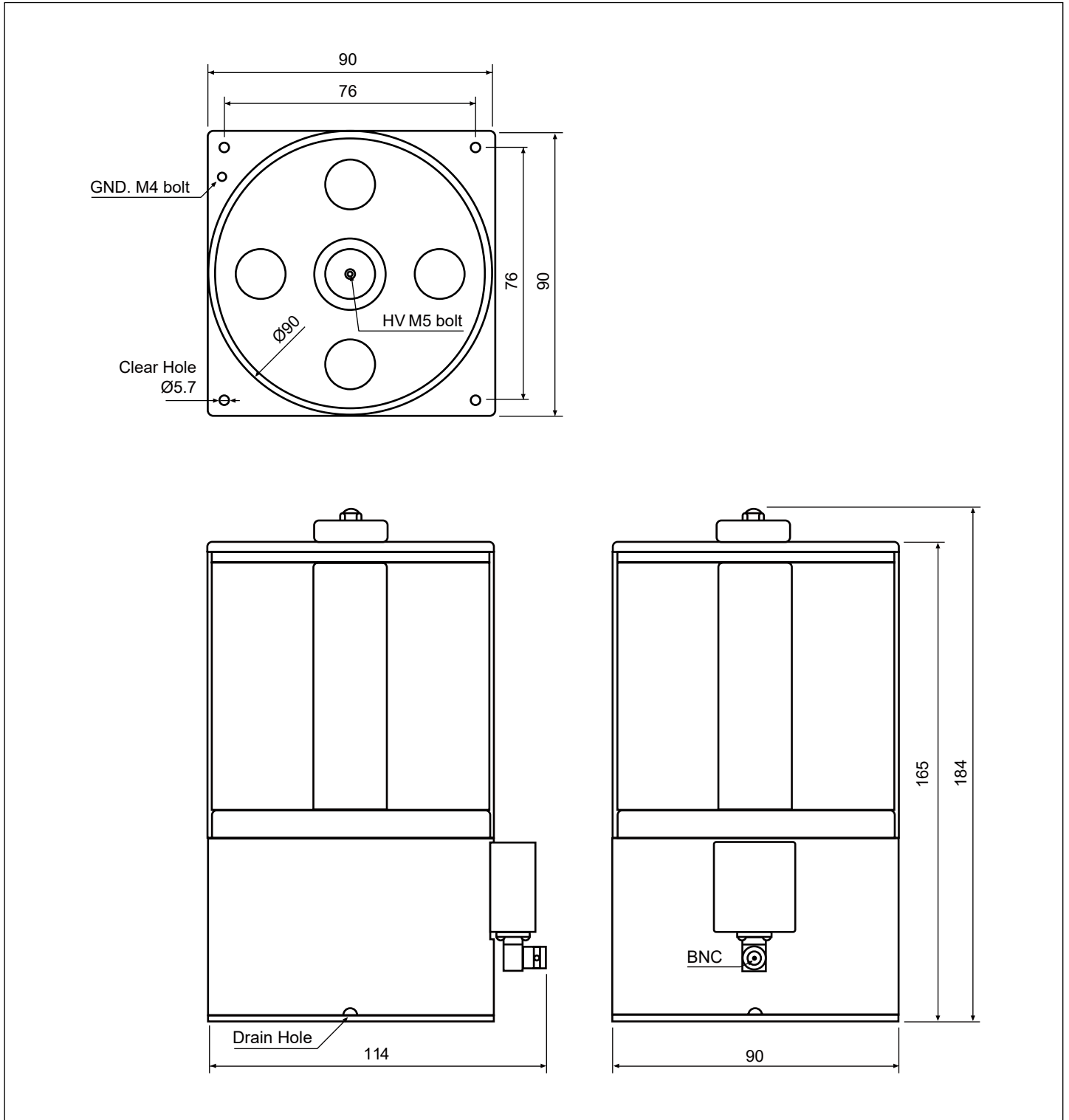
CAPACITIVE HIGH VOLTAGE PULSE DIVIDERS IN OIL & AIR



High Voltage Square Pulse & Pulses,
Wave-shape Signal upto 150kVp 300kVp 500kVp in oil ,
Voltage ratio 10000/1 in normal & custom available.

VOICE : +82-31-429-6379
FAX : +82-31-429-9127
E-MAIL : info@3RLab.com

CD150



CD-SERIES

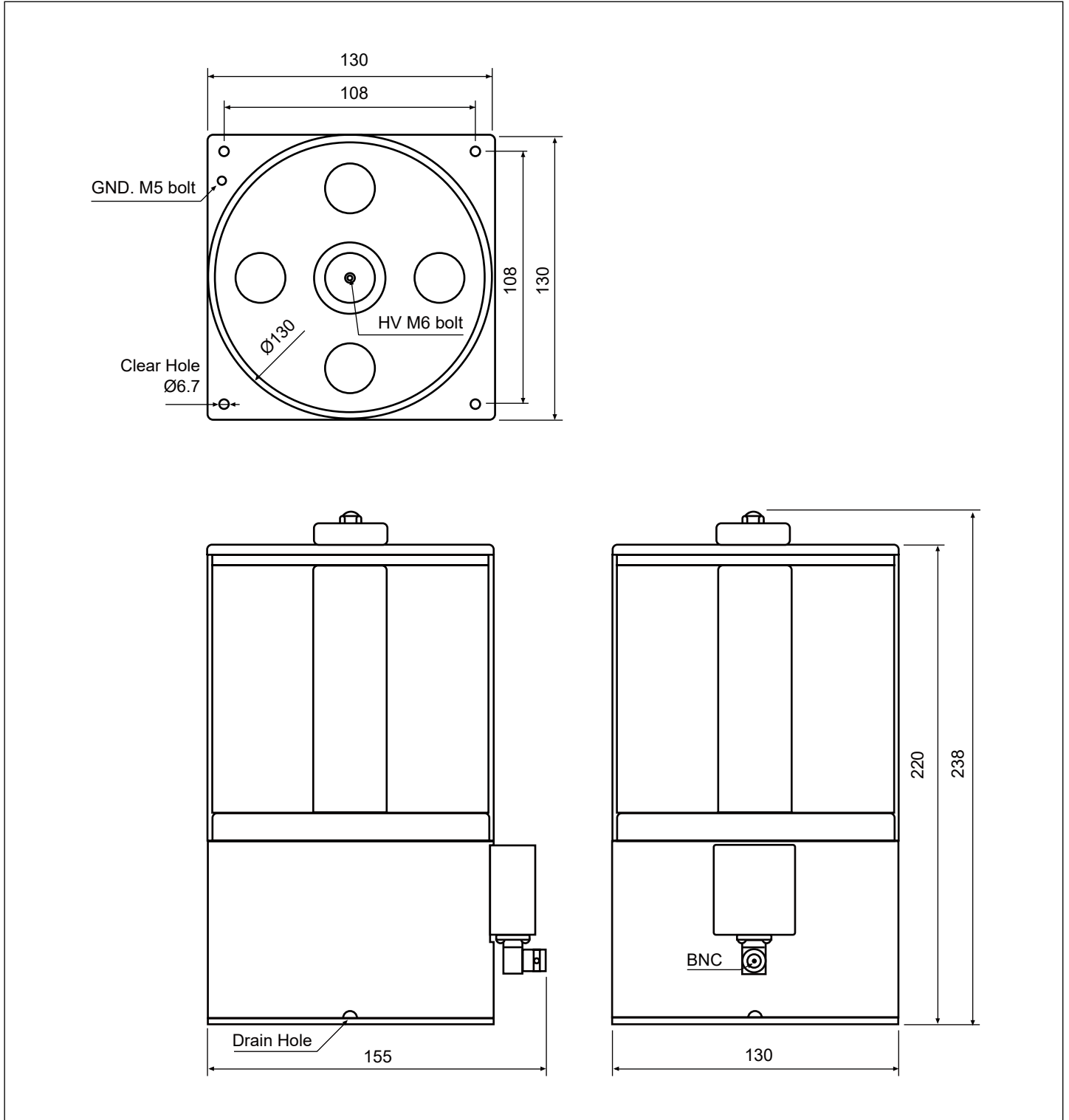
CAPACITIVE HIGH VOLTAGE PULSE DIVIDERS IN OIL & AIR



High Voltage Square Pulse & Pulses,
Wave-shape Signal upto 150kVp 300kVp 500kVp in oil ,
Voltage ratio 10000/1 in normal & custom available.

VOICE : +82-31-429-6379
FAX : +82-31-429-9127
E-MAIL : info@3RLab.com

CD300



CD-SERIES

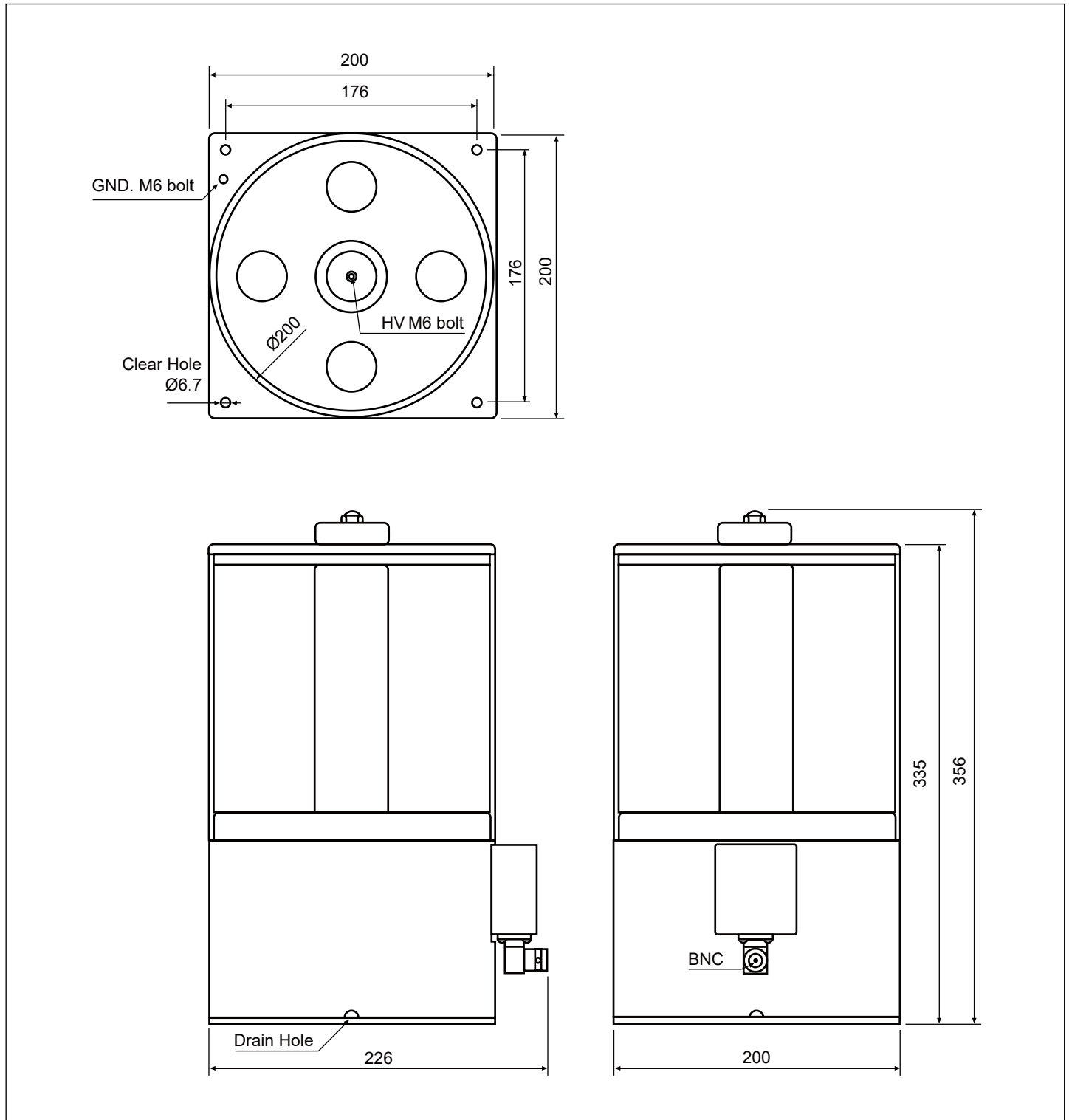
CAPACITIVE HIGH VOLTAGE PULSE DIVIDERS IN OIL & AIR



High Voltage Square Pulse & Pulses,
Wave-shape Signal upto 150kVp 300kVp 500kVp in oil ,
Voltage ratio 10000/1 in normal & custom available.

VOICE : +82-31-429-6379
FAX : +82-31-429-9127
E-MAIL : info@3RLab.com

CD500



CD-SERIES

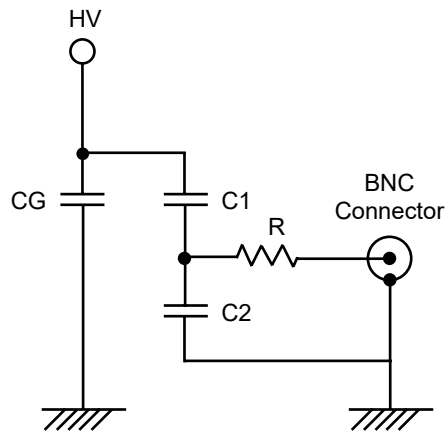
CAPACITIVE HIGH VOLTAGE PULSE DIVIDERS IN OIL & AIR



High Voltage Square Pulse & Pulses,
Wave-shape Signal upto 150kVp 300kVp 500kVp in oil ,
Voltage ratio 10000/1 in normal & custom available.

VOICE : +82-31-429-6379
FAX : +82-31-429-9127
E-MAIL : info@3RLab.com

Electrical Schematic



$$\text{Voltage Ratio} = C2 / (C1 + C2)$$

