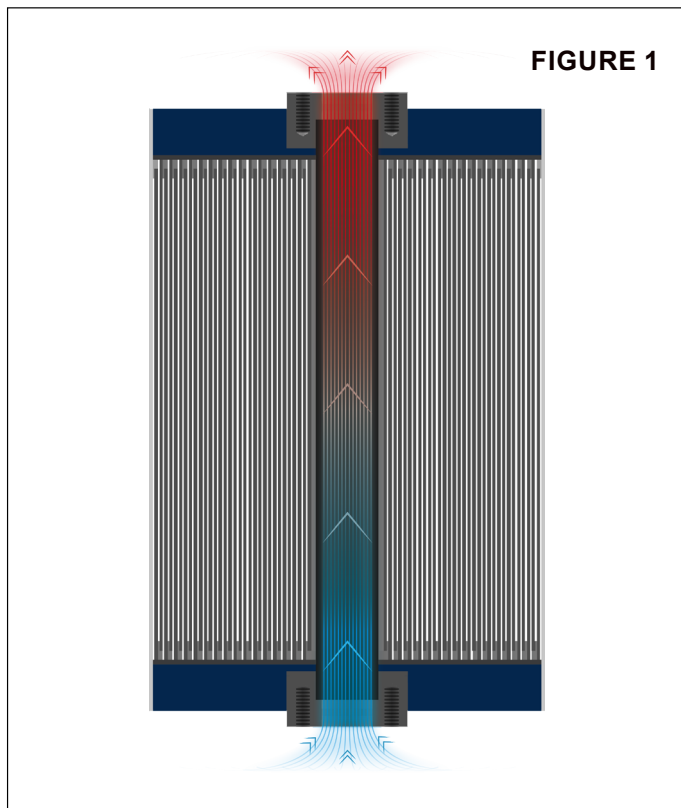


HIGH VOLTAGE METALLIZED POLYPROPYLENE TAPE WRAP AND EPOXY FILL CASE
CUSTOM DESIGN AVAILABLE.

VOICE : +82-31-429-6379
FAX : +82-31-429-9127
E-MAIL : info@3RLab.com
UPDATE : 2021-10-14



MAIN CHARACTERISTICS:

- SELF-HEALING METALLIZED POLYPROPYLENE FILM
- TAPE WRAP AND EPOXY FILL CASE
- EPOXY FILLING

MAIN APPLICATIONS:

- HIGH VOLTAGE, MEDIUM PULSE APPLICATIONS
- ENERGY CONVERSION AND CONTROL IN POWER SEMICONDUCTOR CIRCUITS
- SMPS, MOTOR SPEED CONTROLS

HIGH VOLTAGE METALLIZED POLYPROPYLENE TAPE WRAP AND EPOXY FILL CASE
 CUSTOM DESIGN AVAILABLE.

VOICE : +82-31-429-6379
 FAX : +82-31-429-9127
 E-MAIL : info@3RLab.com
 UPDATE : 2021-10-14

DC VOLTAGE RANGE	2000~50000 V
CAPACITANCE RANGE	UP TO 7 μ F
CAPACITANCE TOLERANCE (AT +25°C)	STANDARD: \pm 10% ON REQUEST \pm 3, 5%
EQUIVALENT SERIES RESISTANCE	< 4.5 m Ω
MAXIMUM VOLTAGE RATE OF RISE(dV/dT)	\leq 1000 V/ μ S
TERMINALS	M5
VOLTAGE TEST	RATED VOLTAGE X 1.5 TIMES FOR 10 SECS
WORKING & STORAGE TEMPERATURE	-55 / +85 °C
CYLINDRICAL CASE AND FILLING	FLAME RETARDANT EPOXY RESIN FILL AND TAPE WRAP
PROTECTIVE MECHANISM	SELF HEALING
LIFE EXPECTANCY	100,000 HOURS TYP.
M5 SCREW TERMINALS	MAX 6 Nm
DISSIPATION FACTOR	DF VALUE \leq 1 % , MEASURED AT 25 \pm 5°C, 1 kHz

ORDERING INFORMATION

PRODUCTS NAME ——— (3)DIA x (3)LENGTH ——— TOLERANCE

AX9 - 00K - 000000 - 000 -

STD.	CUSTOM	
K	J	H
10%	5%	3%

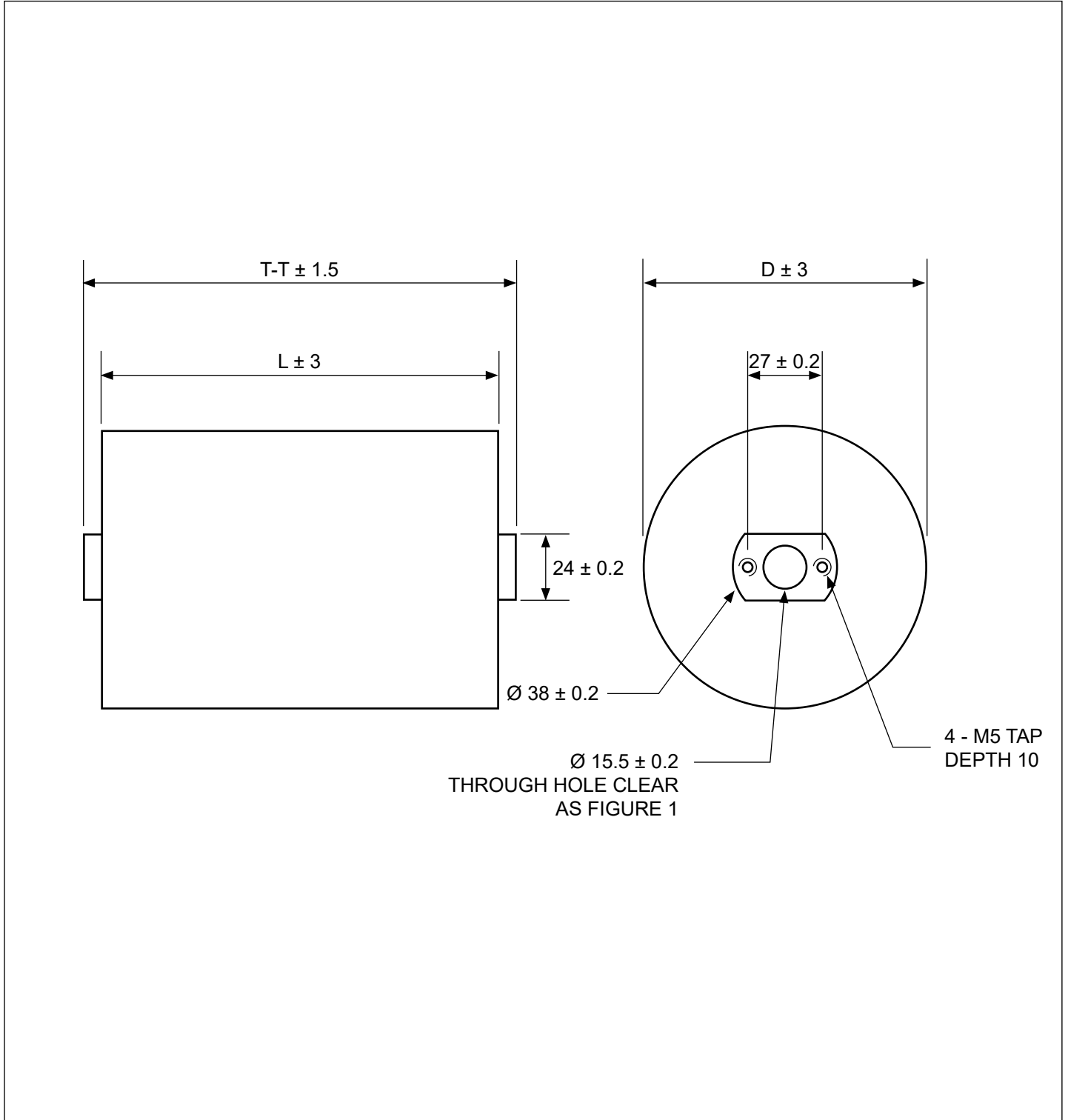
RATED VOLTAGE ——— CAPACITANCE

ALL OF SPECIFICATIONS SUBJECT TO CHANGE WITHOUT PRENOTICE.

HIGH VOLTAGE METALLIZED POLYPROPYLENE TAPE WRAP AND
EPOXY FILL CASE
CUSTOM DESIGN AVAILABLE.

VOICE : +82-31-429-6379
FAX : +82-31-429-9127
E-MAIL : info@3RLab.com
UPDATE : 2021-10-14

DIMENSION[mm]



HIGH VOLTAGE METALLIZED POLYPROPYLENE TAPE WRAP AND EPOXY FILL CASE
 CUSTOM DESIGN AVAILABLE.

VOICE : +82-31-429-6379
 FAX : +82-31-429-9127
 E-MAIL : info@3RLab.com
 UPDATE : 2021-10-14

2000VDC, RATED VOLTAGE

VOLTAGE AT +85°C		CAP ⁽³⁾ μF	DIMENSIONS[mm]			TERMI-NAL	CURRENT	ORDERING CODE
VDC	V -PEAK		D	L	T-T		I-PEAK ⁽²⁾ [A]	
2000	2800	1.2	47	71	81	M5	132	AX9-02K-047071-125-K
2000	2800	1.5	54	71	81	M5	165	AX9-02K-054071-155-K
2000	2800	2	61	71	81	M5	220	AX9-02K-061071-205-K
2000	2800	2.2	64	71	81	M5	242	AX9-02K-064071-225-K
2000	2800	2.5	68	71	81	M5	275	AX9-02K-068071-255-K
2000	2800	3	75	71	81	M5	330	AX9-02K-075071-305-K
2000	2800	3.3	78	71	81	M5	363	AX9-02K-078071-335-K
2000	2800	3.5	80	71	81	M5	385	AX9-02K-080071-355-K
2000	2800	3.7	82	71	81	M5	407	AX9-02K-082071-375-K
2000	2800	4	86	71	81	M5	440	AX9-02K-086071-405-K
2000	2800	4.5	91	71	81	M5	495	AX9-02K-091071-455-K
2000	2800	5	95	71	81	M5	550	AX9-02K-095071-505-K
2000	2800	6	104	71	81	M5	660	AX9-02K-104071-605-K
2000	2800	7	112	71	81	M5	770	AX9-02K-112071-705-K

**CAPACITANCE AND THREADS TERMINAL AVAILABLE AS CUSTOM.
 (1) NON-REPETITIVE PEAK VOLTAGE LESS THAN 00μS TYP.
 (2) NON-REPETITIVE PEAK CURRENT LESS THAN 00μS TYP.
 (3) MEASURED AT 1kHz ±20Hz AT 25°C

HIGH VOLTAGE METALLIZED POLYPROPYLENE TAPE WRAP AND EPOXY FILL CASE
CUSTOM DESIGN AVAILABLE.

VOICE : +82-31-429-6379
FAX : +82-31-429-9127
E-MAIL : info@3RLab.com
UPDATE : 2021-10-14

4000VDC, RATED VOLTAGE

VOLTAGE AT +85°C		CAP ⁽³⁾ μF	DIMENSIONS [mm]			TERMI-NAL	CURRENT	ORDERING CODE
VDC	V -PEAK		D	L	T-T		I-PEAK ⁽²⁾ [A]	
4000	5600	0.47	52	71	81	M5	103.4	AX9-04K-052071-474-K
4000	5600	0.68	62	71	81	M5	149.6	AX9-04K-062071-684-K
4000	5600	1	74	71	81	M5	220.0	AX9-04K-074071-105-K
4000	5600	1.2	81	71	81	M5	264.0	AX9-04K-081071-125-K
4000	5600	1.5	91	71	81	M5	330.0	AX9-04K-091071-155-K
4000	5600	2	104	71	81	M5	440.0	AX9-04K-104071-205-K
4000	5600	2.2	108	71	81	M5	484.0	AX9-04K-108071-225-K
4000	5600	2.5	116	71	81	M5	550.0	AX9-04K-116071-255-K

6000VDC, RATED VOLTAGE

6000	8500	0.33	54	92	102	M5	57.8	AX9-06K-054092-334-K
6000	8500	0.47	64	92	102	M5	82.3	AX9-06K-064092-474-K
6000	8500	0.68	77	92	102	M5	119.0	AX9-06K-077092-684-K
6000	8500	1	93	92	102	M5	175.0	AX9-06K-093092-105-K
6000	8500	1.2	102	92	102	M5	210.0	AX9-06K-102092-125-K
6000	8500	1.5	114	92	102	M5	262.5	AX9-06K-114092-155-K

**CAPACITANCE AND THREADS TERMINAL AVAILABLE AS CUSTOM.

- (1) NON-REPETITIVE PEAK VOLTAGE LESS THAN 00μS TYP.
(2) NON-REPETITIVE PEAK CURRENT LESS THAN 00μS TYP.
(3) MEASURED AT 1kHz ±20Hz AT 25°C

HIGH VOLTAGE METALLIZED POLYPROPYLENE TAPE WRAP AND EPOXY FILL CASE
CUSTOM DESIGN AVAILABLE.

VOICE : +82-31-429-6379
FAX : +82-31-429-9127
E-MAIL : info@3RLab.com
UPDATE : 2021-10-14

8000VDC, RATED VOLTAGE

VOLTAGE AT +85°C		CAP ⁽³⁾ μF	DIMENSIONS [mm]			TERMI-NAL	CURRENT	ORDERING CODE
VDC	V -PEAK		D	L	T-T		I-PEAK ⁽²⁾ [A]	
8000	12000	0.22	51	99	109	M5	49.72	AX9-08K-051099-224-K
8000	12000	0.33	63	99	109	M5	74.58	AX9-08K-063099-334-K
8000	12000	0.47	74	99	109	M5	106.22	AX9-08K-074099-474-K
8000	12000	0.68	89	99	109	M5	153.68	AX9-08K-089099-684-K
8000	12000	1	108	99	109	M5	226	AX9-08K-108099-105-K
8000	12000	1.2	118	99	109	M5	271.2	AX9-08K-118099-125-K

10000VDC, RATED VOLTAGE

10000	14000	0.15	51	99	109	M5	45.0	AX9-10K-051099-154-K
10000	14000	0.22	62	99	109	M5	66.0	AX9-10K-062099-224-K
10000	14000	0.33	76	99	109	M5	99.0	AX9-10K-076099-334-K
10000	14000	0.47	91	99	109	M5	141.0	AX9-10K-091099-474-K
10000	14000	0.68	109	99	109	M5	204.0	AX9-10K-109099-684-K

16000VDC, RATED VOLTAGE

16000	22000	0.022	46	101	111	M5	11	AX9-16K-046101-223-K
16000	22000	0.033	55	101	111	M5	16.5	AX9-16K-055101-333-K
16000	22000	0.047	66	101	111	M5	23.5	AX9-16K-066101-473-K
16000	22000	0.068	79	101	111	M5	34.0	AX9-16K-079101-683-K
16000	22000	0.1	95	101	111	M5	50.0	AX9-16K-095101-104-K
16000	22000	0.15	116	101	111	M5	75.0	AX9-16K-116101-154-K

**CAPACITANCE AND THREADS TERMINAL AVAILABLE AS CUSTOM.

(1) NON-REPETITIVE PEAK VOLTAGE LESS THAN 00μS TYP.

(2) NON-REPETITIVE PEAK CURRENT LESS THAN 00μS TYP.

(3) MEASURED AT 1kHz ±20Hz AT 25°C

HIGH VOLTAGE METALLIZED POLYPROPYLENE TAPE WRAP AND EPOXY FILL CASE
CUSTOM DESIGN AVAILABLE.

VOICE : +82-31-429-6379
FAX : +82-31-429-9127
E-MAIL : info@3RLab.com
UPDATE : 2021-10-14

20000VDC, RATED VOLTAGE

VOLTAGE AT +85°C		CAP ⁽³⁾ μF	DIMENSIONS [mm]			TERMI-NAL	CURRENT	ORDERING CODE
VDC	V -PEAK		D	L	T-T		I-PEAK ⁽²⁾ [A]	
20000	28000	0.015	49	127	137	M5	9	AX9-20K-049127-153-K
20000	28000	0.022	59	127	137	M5	13.2	AX9-20K-059127-223-K
20000	28000	0.033	71	127	137	M5	19.8	AX9-20K-071127-333-K
20000	28000	0.047	85	127	137	M5	28.2	AX9-20K-085127-473-K
20000	28000	0.068	101	127	137	M5	40.8	AX9-20K-101127-683-K

30000VDC, RATED VOLTAGE

30000	42000	0.01	51	164	174	M5	7.0	AX9-30K-051164-103-K
30000	42000	0.015	62	164	174	M5	10.5	AX9-30K-062164-153-K
30000	42000	0.022	74	164	174	M5	15.4	AX9-30K-074164-223-K
30000	42000	0.033	91	164	174	M5	23.1	AX9-30K-091164-333-K
30000	42000	0.047	108	164	174	M5	32.9	AX9-30K-108164-473-K

50000VDC, RATED VOLTAGE

50000	65000	0.0047	51	182	192	M5	3.8	AX9-50K-051182-472-K
50000	65000	0.0068	60	182	192	M5	5.4	AX9-50K-060182-682-K
50000	65000	0.01	72	182	192	M5	8.0	AX9-50K-072182-103-K
50000	65000	0.015	85	182	192	M5	12.0	AX9-50K-085182-153-K
50000	65000	0.022	105	182	192	M5	17.6	AX9-50K-105182-223-K

**CAPACITANCE AND THREADS TERMINAL AVAILABLE AS CUSTOM.

(1) NON-REPETITIVE PEAK VOLTAGE LESS THAN 00μS TYP.

(2) NON-REPETITIVE PEAK CURRENT LESS THAN 00μS TYP.

(3) MEASURED AT 1kHz ±20Hz AT 25°C

ALL INFORMATION ON THIS FILE IS SUBJECT TO CHANGE WITHOUT PRE-NOTICE.