

250Watt Mountable Non-Inductive,
High Voltage High Frequency Resistors

VOICE : +82-31-429-6379
FAX : +82-31-429-9127
E-MAIL : info@3RLab.com
UPDATE : 2021-07-05



H.V. Energy Semiconductors, Motor Controls, High Energy, RF, High Voltage, Inverters, Pulse & Plasma, Non-Inductive Powers

3R-250 Non-Inductive design these elements are ideally suited for high frequency and pulse load applications. By direct mounting on a heatsink significant cost advantages can be realized for power Application from 100w to 600w. 3R-250 can be supplied in a 2-terminal Main applications are Variable speed Drives, ship, train, RF Termination, Power Supplies, Control Devices, Telecom, Robotics, Motor Controls Dynamic Braking, and other switching designs. Braking, and other switching designs, RF Applications, soft start.

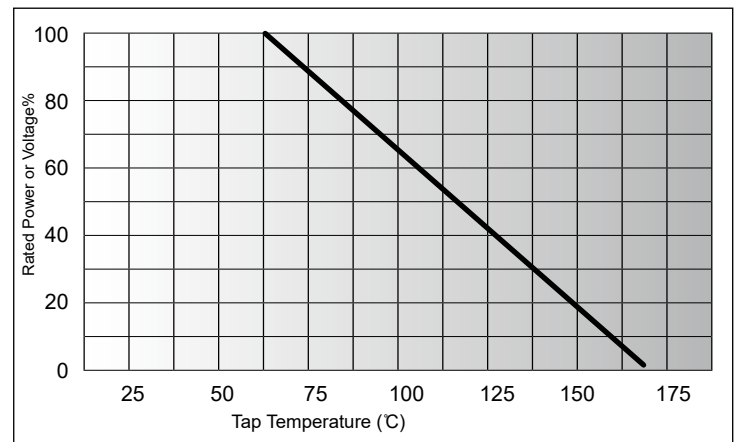
3R-250 Non-Inductive 250Watt Mountable, High Frequency Resistors

- Heat Sink Mountable with M4 Screw
- Inverter
- RF Terminal
- Motor Braking
- Shunt
- Pulse & Plasma

SPECIFICATIONS

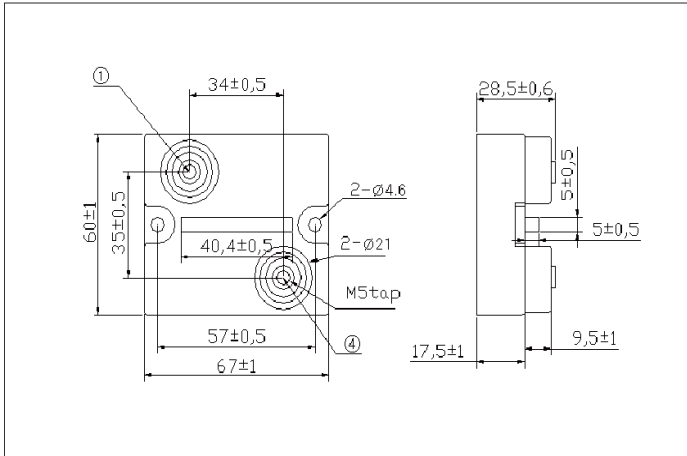
Resistance Values : 1R0 to 2Megohm others on request
Resistance Tolerance :
1%,2%,5% available on request.
Temperature Coefficient :
± 100ppm/°C typ. (others upon request)
Maximum Working Voltage :
5,000V DC, higher voltage on request,
not exceeding max. power
Single Shot Voltage : Up to 12kV at std. wave (1.5/50 μs)
Insulation Resistance : 10GΩ min. at 500V
Creeping Distance : 42mm min.
Inductance : ≤50 nH
Capacity/Ground : ≤110pF
Capacity/Resistive : ≤40pF
Operation Temperature : -55°C to +155°C
Max. Torque for Contacts : 2 N.m
Max. Torque for Mounting : 1.8 N.m
Power Rating : 250W at 50°C Tap Temperature
Higher power : 600Watt at 5°C Tap Temperature
Dielectric Strength : Up to 12 kV
Termination to Contacts : M5 Screws
Required thermal transfer compound of-heat conductivity :
1 W/°C
Required flatness of heat sink : ≤ 0.05mm
Roughness of the Heatsink surface : ≤ 6.4μm.
Isolation Voltage(Terminal to Heatsink) : 7k Vrm

DERATING CURVE

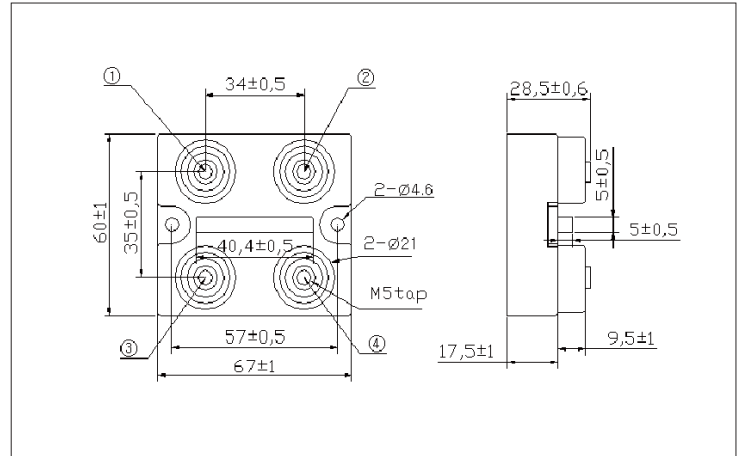


cf.: The described specifications & dimensions subject to change without notice.

DIEMENSION [mm]

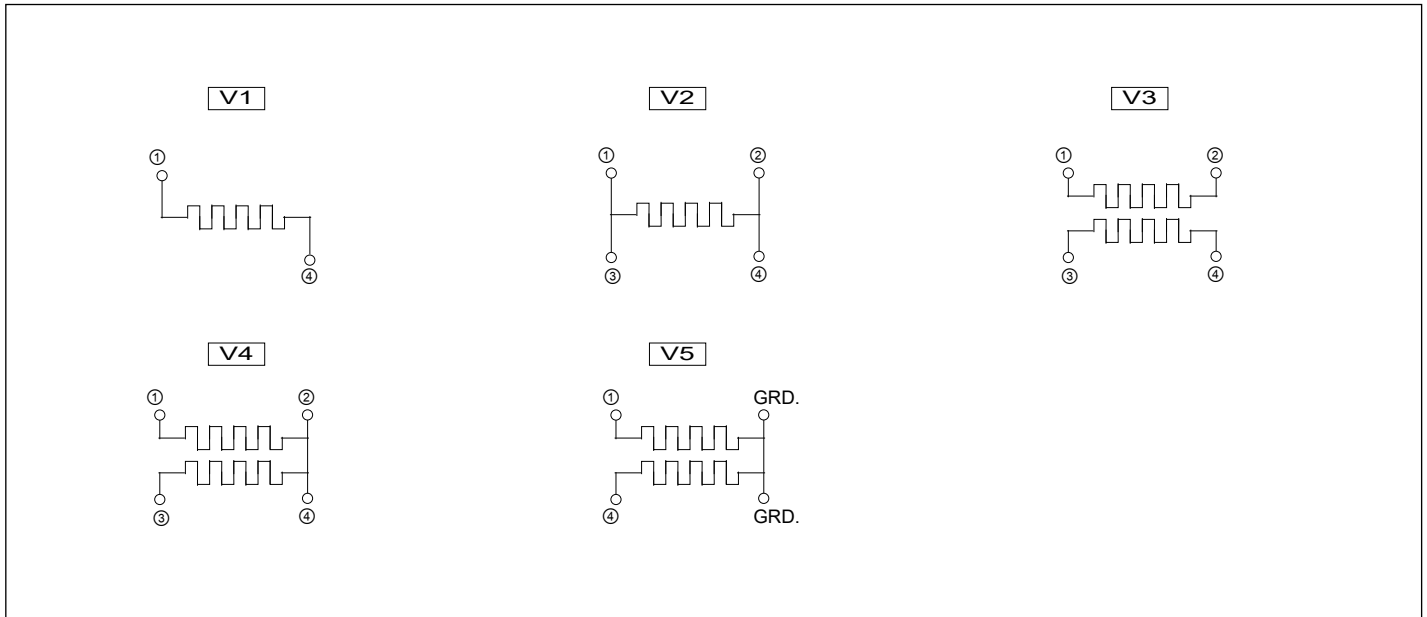


*Versions 1, 5



*Versions 2, 3, 4

VERSIONS



**V3, V4, V5 : Total Power = 200Watts Max.