

VX7 HIGH VOLTAGE DC CAPACITORS



METALLIZED POLYPROPYLENE FILMS.
TAPE WRAP AND EPOXY FILL CASE.

VOICE : +82-31-429-6379
FAX : +82-31-429-9127
E-MAIL : info@3RLab.com
UPDATE : 2021-04-22



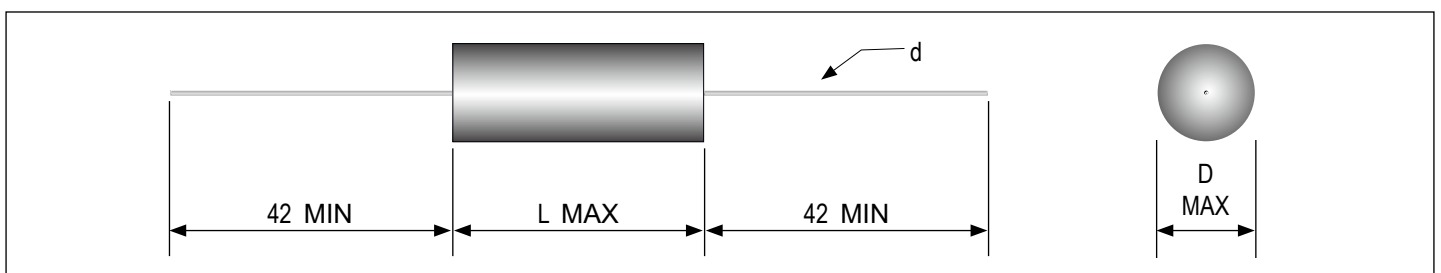
MAIN CHARACTERISTICS:

- NON-INDUCTIVE WOUND METALLIZED POLYPROPYLENE FILM
- TAPE WRAP CASE
- EPOXY RESIN FILL

MAIN APPLICATIONS:

- GENERAL HIGH VOLTAGE POWER SUPPLY
- HIGH VOLTAGE PULSE SYSTEMS
- ENERGY CONVERSION AND CONTROL IN HV POWER SEMICONDUCTOR CIRCUITS
- TRADITIONAL COCKCROFT-WALTON HV CIRCUITS

DIEMENSION



VX7 HIGH VOLTAGE DC CAPACITORS

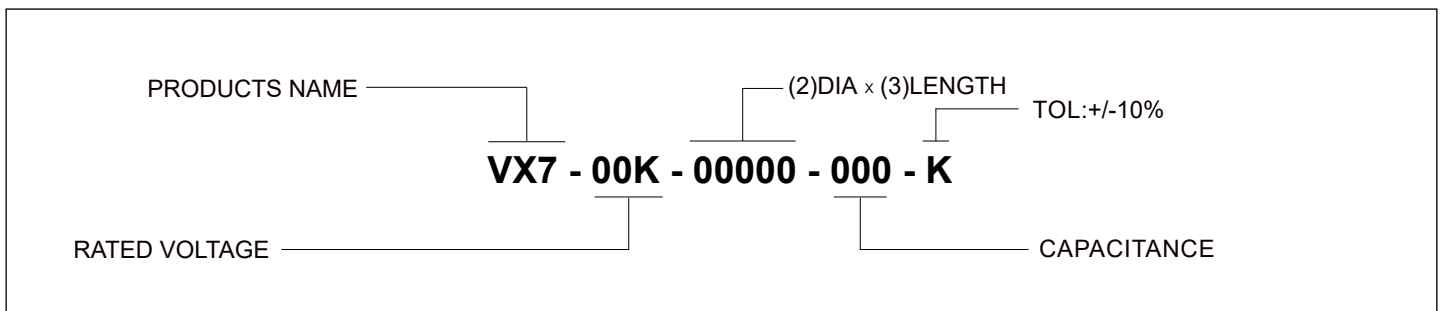


METALLIZED POLYPROPYLENE FILMS.
TAPE WRAP AND EPOXY FILL CASE.

VOICE : +82-31-429-6379
FAX : +82-31-429-9127
E-MAIL : info@3RLab.com
UPDATE : 2021-04-22

DC VOLTAGE RANGE	2000~30000V
CAPACITANCE RANGE	UPTO 1 μ F
CAPACITANCE TOLERANCE (+25°C)	STANDARD: \pm 10%. CUSTOM: \pm 1%, \pm 2%, \pm 5%
SERIES RESISTANCE	< 4.5 m Ω
MAXIMUM VOLTAGE RATE OF RISE(dV/dT)	\leq 1000V/ μ S
TERMINALS	TINNED COPPER WIRE
VOLTAGE TEST	RATED VOLTAGE X 1.5 TIMES FOR 10 SECS
WORKING TEMPERATURE	-55 / +85 °C
STORAGE TEMPERATURE	-55 / +85 °C
CYLINDRICAL CASE AND FILLING	FLAME RETARDANT EPOXY RESIN FILL AND TAPE WRAP
PROTECTIVE MECHANISM	SELF HEALING
LIFE EXPECTANCY	100,000 HOURS TYP.
SOLDERING HEAT TEST	TEMPERATURE = 260 \pm 5°C FOR 10SECS
DISSIPATION FACTOR	DF VALUE \leq 1 % , MEASURED AT 25 \pm 5°C, 1 kHz

ORDERING INFORMATION



ALL OF SPECIFICATIONS SUBJECT TO CHANGE WITHOUT PRENOTICE.



METALLIZED POLYPROPYLENE FILMS.
TAPE WRAP AND EPOXY FILL CASE.

VOICE : +82-31-429-6379
FAX : +82-31-429-9127
E-MAIL : info@3RLab.com
UPDATE : 2021-04-22

2000VDC, RATED VOLTAGE

VOLTAGE AT +85°C		CAP ⁽³⁾	DIMENSIONS[mm]			LEAD	CURRENT	ORDERING CODE
VDC [V]	V-PEAK ⁽¹⁾ [V]	μF	D MAX	L	d	AWG	I-PEAK ⁽²⁾ [A]	
2000	2800	0.001	10	33	0.8	20	0.1	VX7-02K-10033-102-K
2000	2800	0.0015	10	33	0.8	20	0.2	VX7-02K-10033-152-K
2000	2800	0.0022	10	33	0.8	20	0.2	VX7-02K-10033-222-K
2000	2800	0.0033	10	33	0.8	20	0.4	VX7-02K-10033-332-K
2000	2800	0.0047	10	33	0.8	20	0.5	VX7-02K-10033-472-K
2000	2800	0.0068	10	33	0.8	20	0.7	VX7-02K-10033-682-K
2000	2800	0.01	11	33	0.8	20	1.1	VX7-02K-11033-103-K
2000	2800	0.015	13	33	0.8	20	1.7	VX7-02K-13033-153-K
2000	2800	0.022	14	33	0.8	20	2.4	VX7-02K-14033-223-K
2000	2800	0.033	16	33	0.8	20	3.6	VX7-02K-16033-333-K
2000	2800	0.047	20	33	0.8	20	5.2	VX7-02K-20033-473-K
2000	2800	0.068	16	49	0.8	20	2.3	VX7-02K-16049-683-K
2000	2800	0.1	17	49	0.8	20	3.3	VX7-02K-17049-104-K
2000	2800	0.15	21	49	0.8	20	5.0	VX7-02K-21049-154-K
2000	2800	0.22	24	49	0.8	20	7.3	VX7-02K-24049-224-K
2000	2800	0.33	26	49	0.8	20	11.0	VX7-02K-26049-334-K
2000	2800	0.47	33	49	0.8	20	15.6	VX7-02K-33049-474-K
2000	2800	0.68	39	49	0.8	20	22.6	VX7-02K-39049-684-K
2000	2800	1	47	49	0.8	20	33.2	VX7-02K-47049-105-K

**CAPACITANCE AND THREADS TERMINAL AVAILABLE AS CUSTOM.

- (1) NON-REPETITIVE PEAK VOLTAGE LESS THAN 00μS TYP.
(2) NON-REPETITIVE PEAK CURRENT LESS THAN 00μS TYP.
(3) MEASURED AT 1kHz ±20Hz AT 25°C



METALLIZED POLYPROPYLENE FILMS.
TAPE WRAP AND EPOXY FILL CASE.

VOICE : +82-31-429-6379
FAX : +82-31-429-9127
E-MAIL : info@3RLab.com
UPDATE : 2021-04-22

4000VDC, RATED VOLTAGE

VOLTAGE AT +85°C		CAP ⁽³⁾	DIMENSIONS[mm]			LEAD	CURRENT	ORDERING CODE
VDC [V]	V-PEAK ⁽¹⁾ [V]	μF	D MAX	L	d	AWG	I-PEAK ⁽²⁾ [A]	
4000	5600	0.001	10	33	0.8	20	0.2	VX7-04K-10033-102-K
4000	5600	0.0015	10	33	0.8	20	0.3	VX7-04K-10033-152-K
4000	5600	0.0022	10	33	0.8	20	0.5	VX7-04K-10033-222-K
4000	5600	0.0033	11	33	0.8	20	0.7	VX7-04K-11033-332-K
4000	5600	0.0047	12	33	0.8	20	1.0	VX7-04K-12033-472-K
4000	5600	0.0068	13	33	0.8	20	1.5	VX7-04K-13033-682-K
4000	5600	0.01	14	33	0.8	20	2.2	VX7-04K-14033-103-K
4000	5600	0.015	17	33	0.8	20	3.3	VX7-04K-17033-153-K
4000	5600	0.022	13	47	0.8	20	1.5	VX7-04K-13047-223-K
4000	5600	0.033	16	47	0.8	20	2.2	VX7-04K-16047-333-K
4000	5600	0.047	18	47	0.8	20	3.1	VX7-04K-18047-473-K
4000	5600	0.068	22	47	0.8	20	4.5	VX7-04K-22047-683-K
4000	5600	0.1	26	47	0.8	20	6.6	VX7-04K-26047-104-K
4000	5600	0.15	30	47	0.8	20	10.0	VX7-04K-30047-154-K
4000	5600	0.22	35	47	0.8	20	14.6	VX7-04K-35047-224-K
4000	5600	0.33	39	47	0.8	20	21.9	VX7-04K-39047-334-K
4000	5600	0.47	44	47	0.8	20	31.2	VX7-04K-44047-474-K

**CAPACITANCE AND THREADS TERMINAL AVAILABLE AS CUSTOM.

(1) NON-REPETITIVE PEAK VOLTAGE LESS THAN 00μS TYP.

(2) NON-REPETITIVE PEAK CURRENT LESS THAN 00μS TYP.

(3) MEASURED AT 1kHz ±20Hz AT 25°C

METALLIZED POLYPROPYLENE FILMS.
TAPE WRAP AND EPOXY FILL CASE.

VOICE : +82-31-429-6379
FAX : +82-31-429-9127
E-MAIL : info@3RLab.com
UPDATE : 2021-04-22

6000VDC, RATED VOLTAGE

VOLTAGE AT +85°C		CAP ⁽³⁾	DIMENSIONS[mm]			LEAD	CURRENT	ORDERING CODE
VDC [V]	V-PEAK ⁽¹⁾ [V]	μF	D MAX	L	d	AWG	I-PEAK ⁽²⁾ [A]	
6000	8500	0.001	11	43	0.8	20	0.2	VX7-06K-11043-102-K
6000	8500	0.0015	12	43	0.8	20	0.3	VX7-06K-12043-152-K
6000	8500	0.0022	13	43	0.8	20	0.4	VX7-06K-13043-222-K
6000	8500	0.0033	13	43	0.8	20	0.6	VX7-06K-13043-332-K
6000	8500	0.0047	14	43	0.8	20	0.8	VX7-06K-14043-472-K
6000	8500	0.0068	15	43	0.8	20	1.2	VX7-06K-15043-682-K
6000	8500	0.01	17	43	0.8	20	1.7	VX7-06K-17043-103-K
6000	8500	0.015	19	43	0.8	20	2.6	VX7-06K-19043-153-K
6000	8500	0.022	22	43	0.8	20	3.8	VX7-06K-22043-223-K
6000	8500	0.033	20	68	0.8	20	3.4	VX7-06K-20068-333-K
6000	8500	0.047	22	68	0.8	20	4.8	VX7-06K-22068-473-K
6000	8500	0.068	26	68	0.8	20	6.9	VX7-06K-26068-683-K
6000	8500	0.1	30	68	0.8	20	10.2	VX7-06K-30068-104-K
6000	8500	0.15	35	68	0.8	20	15.3	VX7-06K-35068-154-K
6000	8500	0.22	40	68	0.8	20	22.4	VX7-06K-40068-224-K

**CAPACITANCE AND THREADS TERMINAL AVAILABLE AS CUSTOM.

(1) NON-REPETITIVE PEAK VOLTAGE LESS THAN 00μS TYP.

(2) NON-REPETITIVE PEAK CURRENT LESS THAN 00μS TYP.

(3) MEASURED AT 1kHz ±20Hz AT 25°C

METALLIZED POLYPROPYLENE FILMS.
TAPE WRAP AND EPOXY FILL CASE.

VOICE : +82-31-429-6379
FAX : +82-31-429-9127
E-MAIL : info@3RLab.com
UPDATE : 2021-04-22

8000VDC, RATED VOLTAGE

VOLTAGE AT +85°C		CAP ⁽³⁾	DIMENSIONS[mm]			LEAD	CURRENT	ORDERING CODE
VDC [V]	V-PEAK ⁽¹⁾ [V]	μF	D MAX	L	d	AWG	I-PEAK ⁽²⁾ [A]	
8000	12000	0.001	10	52	0.8	20	0.2	VX7-08K-10052-102-K
8000	12000	0.0015	11	52	0.8	20	0.3	VX7-08K-11052-152-K
8000	12000	0.0022	12	52	0.8	20	0.5	VX7-08K-12052-222-K
8000	12000	0.0033	13	52	0.8	20	0.7	VX7-08K-13052-332-K
8000	12000	0.0047	14	52	0.8	20	1.1	VX7-08K-14052-472-K
8000	12000	0.0068	16	52	0.8	20	1.5	VX7-08K-16052-682-K
8000	12000	0.01	18	52	0.8	20	2.3	VX7-08K-18052-103-K
8000	12000	0.015	21	52	0.8	20	3.4	VX7-08K-21052-153-K
8000	12000	0.022	25	52	0.8	20	5.0	VX7-08K-25052-223-K
8000	12000	0.033	29	52	0.8	20	7.5	VX7-08K-29052-333-K
8000	12000	0.047	23	85	0.8	20	6.2	VX7-08K-23085-473-K
8000	12000	0.068	27	85	0.8	20	9.0	VX7-08K-27085-683-K
8000	12000	0.1	33	85	0.8	20	13.2	VX7-08K-33085-104-K
8000	12000	0.15	38	85	0.8	20	19.8	VX7-08K-38085-154-K
8000	12000	0.22	45	85	0.8	20	29.0	VX7-08K-45085-224-K

**CAPACITANCE AND THREADS TERMINAL AVAILABLE AS CUSTOM.

(1) NON-REPETITIVE PEAK VOLTAGE LESS THAN 00μS TYP.

(2) NON-REPETITIVE PEAK CURRENT LESS THAN 00μS TYP.

(3) MEASURED AT 1kHz ±20Hz AT 25°C

METALLIZED POLYPROPYLENE FILMS.
TAPE WRAP AND EPOXY FILL CASE.

VOICE : +82-31-429-6379
FAX : +82-31-429-9127
E-MAIL : info@3RLab.com
UPDATE : 2021-04-22

10000VDC, RATED VOLTAGE

VOLTAGE AT +85°C		CAP ⁽³⁾	DIMENSIONS[mm]			LEAD	CURRENT	ORDERING CODE
VDC [V]	V-PEAK ⁽¹⁾ [V]	μF	D MAX	L	d	AWG	I-PEAK ⁽²⁾ [A]	
10000	14000	0.001	13	61	0.8	20	0.3	VX7-10K-13061-102-K
10000	14000	0.0015	13	61	0.8	20	0.5	VX7-10K-13061-152-K
10000	14000	0.0022	14	61	0.8	20	0.7	VX7-10K-14061-222-K
10000	14000	0.0033	15	61	0.8	20	1.0	VX7-10K-15061-332-K
10000	14000	0.0047	16	61	0.8	20	1.5	VX7-10K-16061-472-K
10000	14000	0.0068	18	61	0.8	20	2.1	VX7-10K-18061-682-K
10000	14000	0.01	20	61	0.8	20	3.2	VX7-10K-20061-103-K
10000	14000	0.015	23	61	0.8	20	4.7	VX7-10K-23061-153-K
10000	14000	0.022	27	61	0.8	20	7.0	VX7-10K-27061-223-K
10000	14000	0.033	23	100	0.8	20	5.6	VX7-10K-23100-333-K
10000	14000	0.047	28	100	0.8	20	8.0	VX7-10K-28100-473-K
10000	14000	0.068	34	100	0.8	20	11.6	VX7-10K-34100-683-K
10000	14000	0.1	39	100	0.8	20	17.0	VX7-10K-39100-104-K

**CAPACITANCE AND THREADS TERMINAL AVAILABLE AS CUSTOM.

(1) NON-REPETITIVE PEAK VOLTAGE LESS THAN 00μS TYP.

(2) NON-REPETITIVE PEAK CURRENT LESS THAN 00μS TYP.

(3) MEASURED AT 1kHz ±20Hz AT 25°C

METALLIZED POLYPROPYLENE FILMS.
TAPE WRAP AND EPOXY FILL CASE.

VOICE : +82-31-429-6379
FAX : +82-31-429-9127
E-MAIL : info@3RLab.com
UPDATE : 2021-04-22

16000VDC, RATED VOLTAGE

VOLTAGE AT +85°C		CAP ⁽³⁾	DIMENSIONS[mm]			LEAD	CURRENT	ORDERING CODE
VDC [V]	V-PEAK ⁽¹⁾ [V]	μF	D MAX	L	d	AWG	I-PEAK ⁽²⁾ [A]	
16000	22000	0.001	15	81	0.8	20	0.5	VX7-16K-15081-102-K
16000	22000	0.0015	17	81	0.8	20	0.8	VX7-16K-17081-152-K
16000	22000	0.0022	18	81	0.8	20	1.1	VX7-16K-18081-222-K
16000	22000	0.0033	20	81	0.8	20	1.7	VX7-16K-20081-332-K
16000	22000	0.0047	21	81	0.8	20	2.4	VX7-16K-21081-472-K
16000	22000	0.0068	26	81	0.8	20	3.4	VX7-16K-26081-682-K
16000	22000	0.01	30	81	0.8	20	5.0	VX7-16K-30081-103-K
16000	22000	0.015	35	81	0.8	20	7.5	VX7-16K-35081-153-K
16000	22000	0.022	41	81	0.8	20	11.0	VX7-16K-41081-223-K
16000	22000	0.033	47	81	0.8	20	16.5	VX7-16K-47081-333-K

**CAPACITANCE AND THREADS TERMINAL AVAILABLE AS CUSTOM.

(1) NON-REPETITIVE PEAK VOLTAGE LESS THAN 00μS TYP.

(2) NON-REPETITIVE PEAK CURRENT LESS THAN 00μS TYP.

(3) MEASURED AT 1kHz ±20Hz AT 25°C

METALLIZED POLYPROPYLENE FILMS.
TAPE WRAP AND EPOXY FILL CASE.

VOICE : +82-31-429-6379
FAX : +82-31-429-9127
E-MAIL : info@3RLab.com
UPDATE : 2021-04-22

20000VDC, RATED VOLTAGE

VOLTAGE AT +85°C		CAP ⁽³⁾	DIMENSIONS[mm]			LEAD	CURRENT	ORDERING CODE
VDC [V]	V-PEAK ⁽¹⁾ [V]	μF	D MAX	L	d	AWG	I-PEAK ⁽²⁾ [A]	
20000	28000	0.001	16	105	1	18	0.6	VX7-20K-16105-102-K
20000	28000	0.0015	17	105	1	18	0.9	VX7-20K-17105-152-K
20000	28000	0.0022	21	105	1	18	1.3	VX7-20K-21105-222-K
20000	28000	0.0033	24	105	1	18	2.0	VX7-20K-24105-332-K
20000	28000	0.0047	28	105	1	18	2.8	VX7-20K-28105-472-K
20000	28000	0.0068	30	105	1	18	4.1	VX7-20K-30105-682-K
20000	28000	0.01	31	105	1	18	6.0	VX7-20K-31105-103-K
20000	28000	0.015	35	105	1	18	9.0	VX7-20K-35105-153-K
20000	28000	0.022	42	105	1	18	13.2	VX7-20K-42105-223-K

30000VDC, RATED VOLTAGE

30000	42000	0.001	19	145	1	18	0.7	VX7-30K-19145-102-K
30000	42000	0.0015	24	145	1	18	1.1	VX7-30K-24145-152-K
30000	42000	0.0022	26	145	1	18	1.5	VX7-30K-26145-222-K
30000	42000	0.0033	30	145	1	18	2.3	VX7-30K-30145-332-K
30000	42000	0.0047	33	145	1	18	3.3	VX7-30K-33145-472-K
30000	42000	0.0068	38	145	1	18	4.8	VX7-30K-38145-682-K
30000	42000	0.01	47	145	1	18	7.0	VX7-30K-47145-103-K

**CAPACITANCE AND THREADS TERMINAL AVAILABLE AS CUSTOM.

(1) NON-REPETITIVE PEAK VOLTAGE LESS THAN 00μS TYP.

(2) NON-REPETITIVE PEAK CURRENT LESS THAN 00μS TYP.

(3) MEASURED AT 1kHz ±20Hz AT 25°C

ALL INFORMATION ON THIS FILE IS SUBJECT TO CHANGE WITHOUT PRE-NOTICE.