

*Cylindrical Type Ultra Low TCR, VCR
Non-Inductive High Voltage Resistors*

VOICE : +82-31-429-6379
FAX : +82-31-429-9127
E-MAIL : info@3RLab.com



Low TCR 2ppm/°C~20ppm/°C Non-Inductive for Ultra Stable HV Calibration Sys.

3RLAB, LTC-series ultra stable Low TCR, Low VCR, Especially for High Voltage Non-Inductive Divider Sets, HV Precision Measurements Systems, Available 0~000pcs connection in serial for HV Calibration Equipments upto 1000kVp.

LTC Precision Low TCR High Voltage Resistors.

Epoxy conformal full coat for excellent humidity protection
Resistance tolerance offered : 0.1% 0.3% 0.5%

- * Temperature Coefficient of Resistance: 2ppm/°C 3ppm/°C 5ppm/°C 10ppm/°C 20ppm/°C from -40°C to +85 °C referenced to +25 °C
- * Load Life Stability of 0.025% typ. & 0.05% max. per 1000hours at rated Voltage
- * Resistance range : 1 MΩ to 200MΩ
- * Various Models related with Voltage Ratings from 1kV to 15kV each, in free air ≤58% humidity.
- * NCR: Non-contact resistance design between resistive parts and termination.

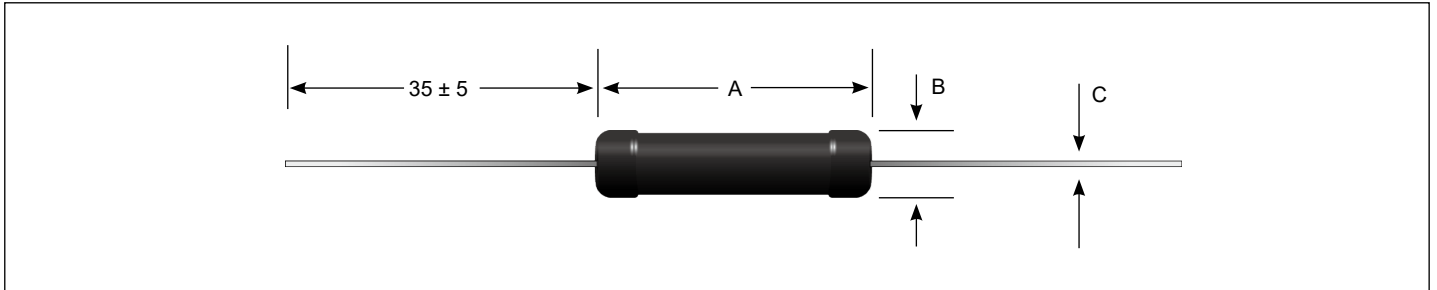
Products Nr. Ordering Info. Model-MΩ-Tol-TC	Megohm	Max. Operating Voltage kVdc, kVp-p	1) in case of stocked orderable TCR +/- ppm/ °C	Normally Ordering TCR +/- ppm/ °C	Max.Ambient Operating Temp [°C]	Dimensions in millimeters		
						A	B(dia)	C
LTC 6-001	1	0.8	2, 3, 5	10, 20	85	39+/-1.5	8+/-1.0	1.0
LTC 6-002	2	1.2	2, 3, 5	10, 20	85	39+/-1.5	8+/-1.0	1.0
LTC 6-005	5	2	2, 3, 5	10, 20	85	39+/-1.5	8+/-1.0	1.0
LTC 6-010	10	2.5	2, 3, 5	10, 20	85	39+/-1.5	8+/-1.0	1.0
LTC 6-020	20	3	2, 3, 5	10, 20	85	39+/-1.5	8+/-1.0	1.0
LTC 6-050	50	5	2, 3, 5	10, 20	85	39+/-1.5	8+/-1.0	1.0
LTC 6-100	100	6	2, 3, 5	10, 20	85	39+/-1.5	8+/-1.0	1.0
LTC10-001	1	1	2, 3, 5	10, 20	85	52+/-1.5	8+/-1.0	1.0
LTC10-002	2	1.3	2, 3, 5	10, 20	85	52+/-1.5	8+/-1.0	1.0
LTC10-005	5	2.2	2, 3, 5	10, 20	85	52+/-1.5	8+/-1.0	1.0
LTC10-010	10	3	2, 3, 5	10, 20	85	52+/-1.5	8+/-1.0	1.0
LTC10-020	20	3.5	2, 3, 5	10, 20	85	52+/-1.5	8+/-1.0	1.0
LTC10-050	50	7	2, 3, 5	10, 20	85	52+/-1.5	8+/-1.0	1.0
LTC10-100	100	10	2, 3, 5	10, 20	85	52+/-1.5	8+/-1.0	1.0
LTC10-150	150	10	2, 3, 5	10, 20	85	52+/-1.5	8+/-1.0	1.0
LTC15-002	2	1.7	2, 3, 5	10, 20	85	76+/-1.5	8+/-1.0	1.0
LTC15-010	10	3.5	2, 3, 5	10, 20	85	76+/-1.5	8+/-1.0	1.0
LTC15-020	20	4.5	2, 3, 5	10, 20	85	76+/-1.5	8+/-1.0	1.0
LTC15-050	50	8	2, 3, 5	10, 20	85	76+/-1.5	8+/-1.0	1.0
LTC15-100	100	12	2, 3, 5	10, 20	85	76+/-1.5	8+/-1.0	1.0
LTC15-200	200	15	2, 3, 5	10, 20	85	76+/-1.5	8+/-1.0	1.0

1) over 1000pcs/each R-Value/Lot shipment : 3ppm 5ppm might be available but please contact at 3RLab first before placing

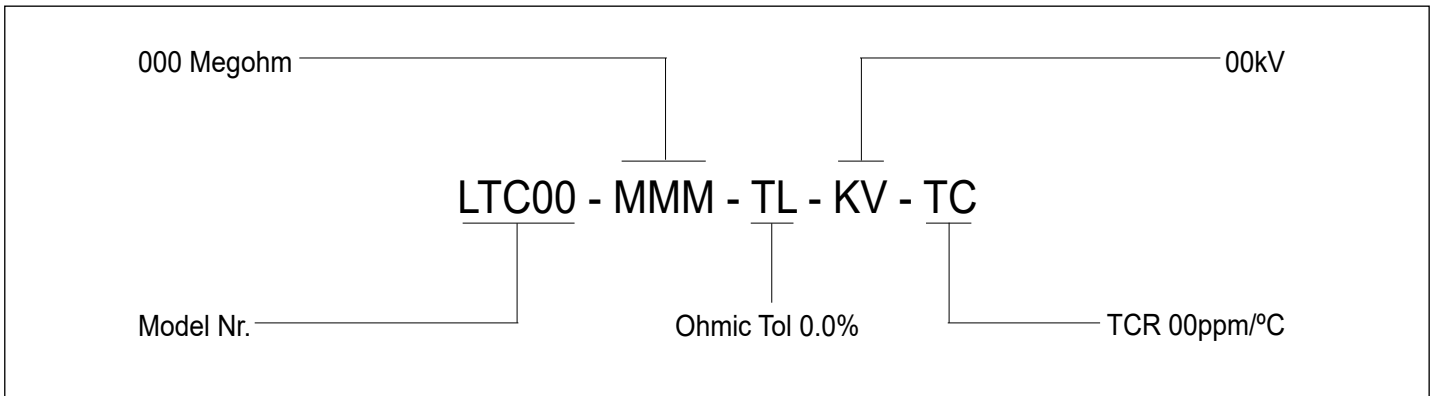
Cylindrical Type Ultra Low TCR, VCR
Non-Inductive High Voltage Resistors

VOICE : +82-31-429-6379
FAX : +82-31-429-9127
E-MAIL : info@3RLab.com

DIMENSIONS [mm]



ORDERING INFORMATION



cf.: The described specifications & dimensions subject to change without notice.

SPECIFICATIONS

Resistance Tolerance	+/-0.1% , +/-0.3% , +/-0.5% measured in 25°C and less than 50% humidity shieldingroom at 100Vdc, 500Vdc
Storage Temperature	-50°C to +105°C
Temperature Coefficient of Resistance	2ppm/°C 3ppm/°C 5ppm/°C 10ppm/°C 20ppm/°C referenced to 25°C, ΔR taken at -40°C and +85°C.
Overload/Voltage	with applied voltage 1.5 times of max continuous operating voltage for 5 seconds ΔR 0.05% max.
Thermal Shock	Mil-Std-202, Method-106, Cond. A, ΔR 0.05% max.
Load Life	1000 hours at rated Voltage ΔR 0.025% typ. and ΔR 0.05% max.
Moisture Resistance	Mil-Std-202, Method 106, ΔR 0.025% max.
Lead Material	Tinned plated copper solderable semi-flexible axial wire.
Insulation Resistance	10,000MΩ Min.
Termination Cap of Material	Plated Cap.
Encapsulation	Epoxy conformal.
Resistive Material	3RLab's LT Film system
Contact method between Resistives and -Termination Caps	Individual Conductive Pads . So called "NCR" Non-contact resistance.