

250Watt Mountable Non-Inductive,  
High Voltage High Frequency Resistors

VOICE : +82-31-429-6379  
FAX : +82-31-429-9127  
E-MAIL : info@3RLab.com



## H.V. Energy Semiconductors, Motor Controls, High Energy, RF, High Voltage, Inverters, Pulse & Plasma, Non-Inductive Powers

3R-250 Non-Inductive design these elements are ideally suited for high frequency and pulse load applications. By direct mounting on a heatsink significant cost advantages can be realized for power Application from 100w to 600w. 3R-250 can be supplied in a 2-terminal Main applications are Variable speed Drives, ship, train, RF Termination, Power Supplies, Control Devices, Telecom, Robotics, Motor Controls Dynamic Braking, and other switching designs. Braking, and other switching designs, RF Applications, soft start.

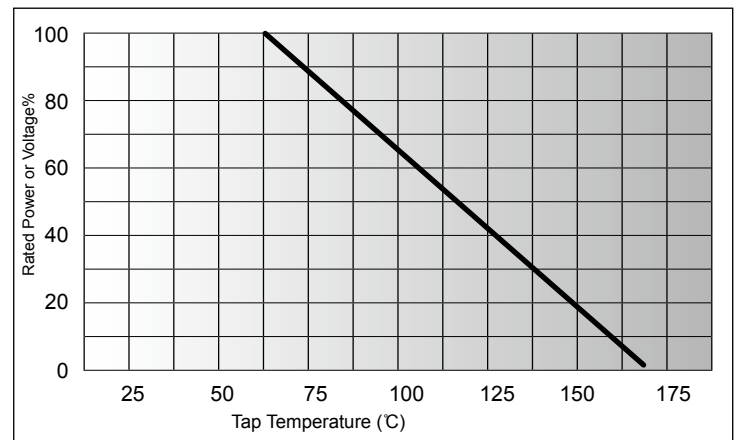
## 3R-250 Non-Inductive 250Watt Mountable, High Frequency Resistors

- Heat Sink Mountable with M4 Screw
- Inverter
- RF Terminal
- Motor Braking
- Shunt
- Pulse & Plasma

## SPECIFICATIONS

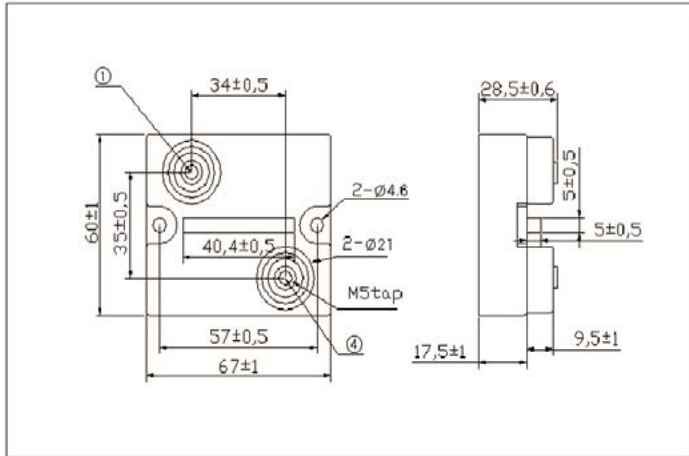
Resistance Values : 1R0 to 2Megohm others on request  
Resistance Tolerance :  
1%,2.5%,5% available on request.  
Temperature Coefficient :  
± 100ppm/°C typ. (others upon request)  
Maximum Working Voltage :  
5,000V DC, higher voltage on request,  
not exceeding max. power  
Single Shot Voltage : Up to 12kV at std. wave (1.5/50 μs)  
Insulation Resistance : 10GΩ min. at 500V  
Creeping Distance : 42mm min.  
Inductance : ≤50 nH  
Capacity/Ground : ≤110pF  
Capacity/Resistive : ≤40pF  
Operation Temperature : -55°C to +155°C  
Max. Torque for Contacts : 2 N.m  
Max. Torque for Mounting : 1.8 N.m  
Power Rating : 250W at 50°C Tap Temperature  
Higher power : 600Watt at 5°C Tap Temperature  
Dielectric Strength : Up to 12 kV  
Termination to Contacts : M5 Screws  
Required thermal transfer compound of-heat conductivity :  
1 W/°C  
Required flatness of heat sink : ≤ 0.05mm  
Roughness of the Heatsink surface : ≤ 6.4μm.  
Isolation Voltage(Terminal to Heatsink) : 7k Vrm

## DERATING CURVE

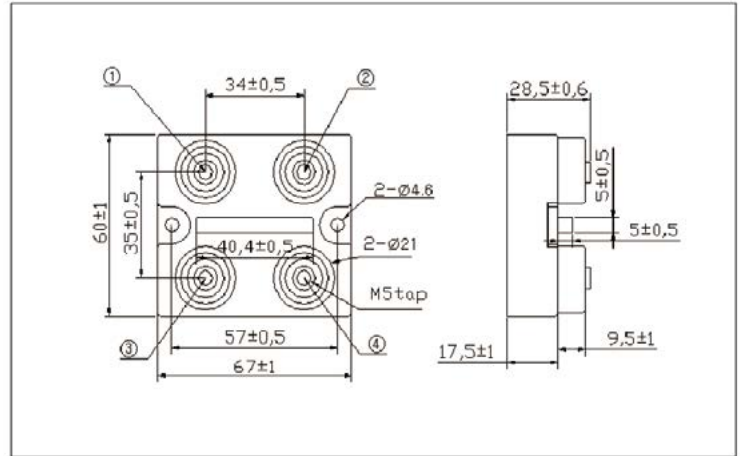


cf.: The described specifications & dimensions subject to change without notice.

## DIEMENSION [mm]

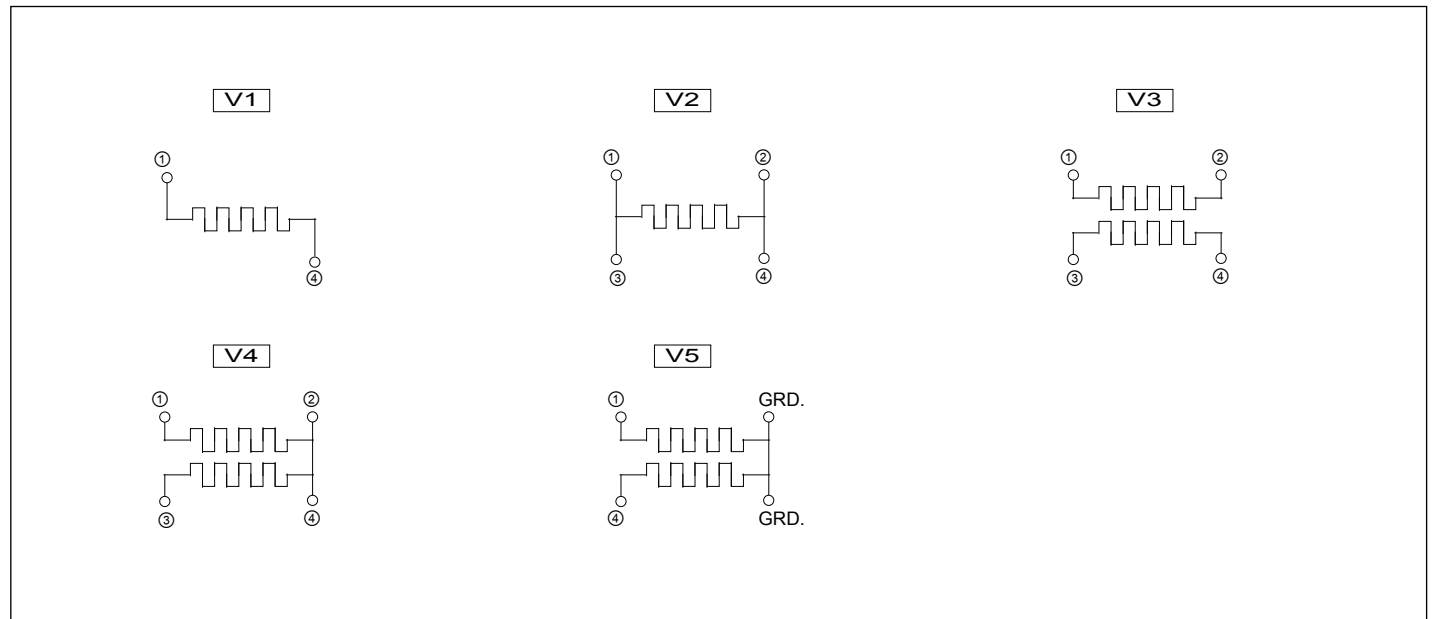


\*Versions 1, 5



\*Versions 2, 3, 4

## VERSIONS



\*\*V3, V4, V5 : Total Power = 200Watts Max.