

100Watt Mountable
Non-Inductive, High Frequency Resistors

VOICE : +82-31-429-6379
FAX : +82-31-429-9127
E-MAIL : info@3RLab.com



3R-100(TO-227, SOT-227, ISOTOP)

Non-Inductive design these elements are ideally suited for high frequency and pulse load applications. By direct mounting on a heatsink significant cost advantages can be realized.

3R-100(TO-227) can be supplied in a 2-terminal or 4-terminal version double or max. 3-fold resistors are available. Main applications are Variable speed Drives, Power Supplies, Control Devices, Telecom, Robotics, Motor Controls, Dynamic Braking, and other switching designs, RF Applications, soft start.

3R-100 (TO-227)Device, Non-Inductive 100Watt Power Resistor

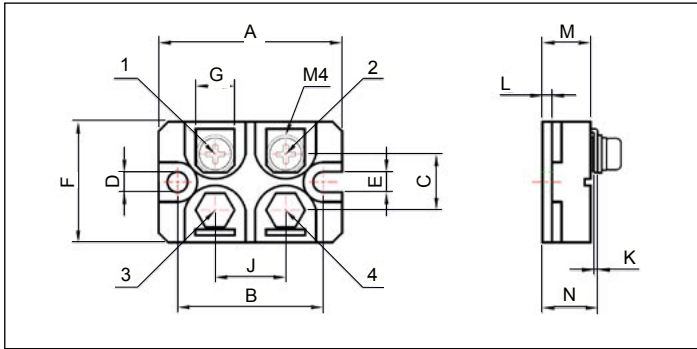
- Heat Sink Mountable
- RF Terminal
- Shunt
- Inverter
- Motor Braking
- Pulse & Plasma
- Medium Voltage

Dim	Millimeters		Inches	
	Min.	Max.	Min.	Max.
A	38.00	39.00	1.496	1.535
B	30.10	30.30	1.185	1.193
C	11.50	11.70	0.453	0.461
D	4.10	4.30	0.161	0.169
E	4.00	4.20	0.157	0.165
F	24.60	25.60	0.969	1.008
G	7.80	8.20	0.307	0.323
J	14.60	15.20	0.575	0.598
K	0.75	0.85	0.030	0.033
L	1.90	2.10	0.075	0.083
M	9.80	10.20	0.386	0.402
N	11.50	12.50	0.453	0.492

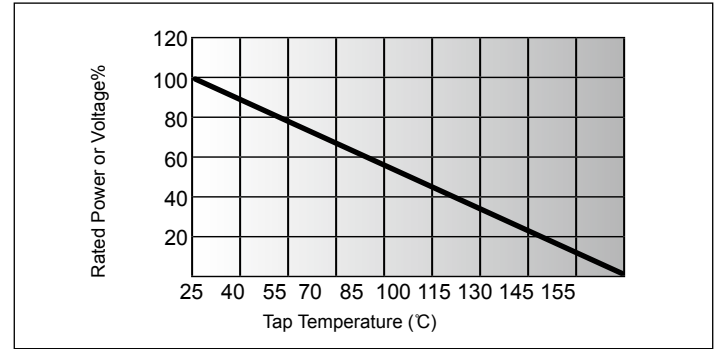
100Watt Mountable
Non-Inductive, High Frequency Resistors

VOICE : +82-31-429-6379
FAX : +82-31-429-9127
E-MAIL : info@3RLab.com

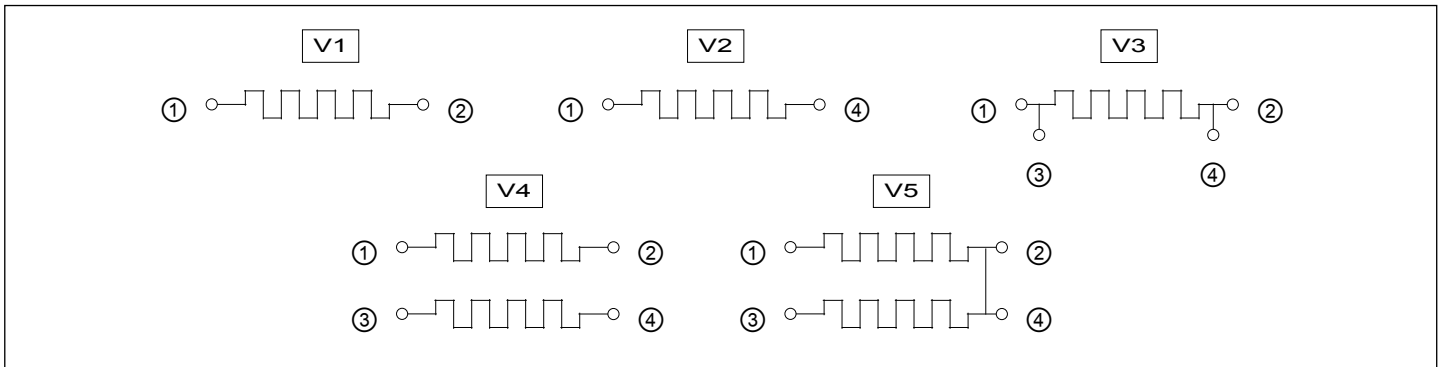
DIEMENSION



DERATING CURVE



VERSIONS



SPECIFICATIONS

Tolerance	5% std. (1% ,2% custom)
TCR	± 100ppm/°C std.
Power rating	100W at 25 °C Tap Temperature
Working Voltage	less than 1kV rms (higher voltage see "DON-15" package device)
Resistance range	1R to 5Meg
Voltage Proof	Dielectric strength 4kVdc against ground
Inductance	≤50 nH
Capacitance	≤ 40pF
Working temp. range	-55°C to +155°C
Max. torque for contacts (static)	1.3Nm
Max. torque for base plate (static)	1.5Nm
Resistive material	Thick Film
Resistive Substrates	Alumina
Tap Material	Ni Plated Copper Plates
Housing	EMC
Terminal	2-pin,3-pin,4-pin
Partial Discharging	2kV rms / 80pC

cf.: The described specifications & dimensions subject to change without notice.