

TX7

HIGH VOLTAGE DC CAPACITORS

HIGH TEMPERATURE METALLIZED FILM
AND HEAT SINK CASE
CUSTOM DESIGNS AVAILABLE



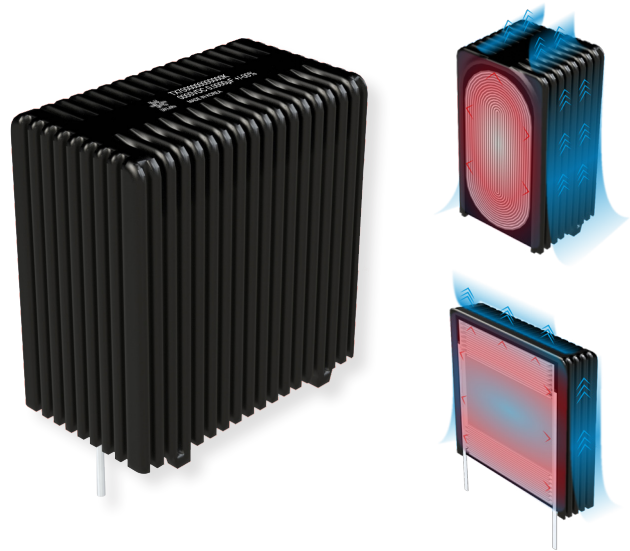
MAIN FEATURES:

- SELF-HEALING
- HEAT SINK CASE FOR HIGH TEMPERATURE ENVIRONMENT
- HT EPOXY FILLING



MAIN APPLICATIONS:

- ELECTRIC VEHICLE
- HARSHED HIGH TEMPERATURE APPLICATION



SPECIFICATIONS

DC VOLTAGE RANGE	500 VDC
CAPACITANCE RANGE	UP TO 20 μ F
CAPACITANCE TOLERANCE (+25°C)	STANDARD: \pm 10% ON REQUEST \pm 5%
EQUIVALENT SERIES RESISTANCE (ESR)	< 4.5 m Ω
MAXIMUM VOLTAGE RATE OF RISE(dV/dT)	\leq 85 V/ μ s
TERMINALS	TIN COPPER WIRE
VOLTAGE TEST	RATED VOLTAGE X 1.4 TIMES FOR 10 SECS
WORKING & STORAGE TEMPERATURE	-55 / +125 °C
FILLING	FLAME RETARDANT EPOXY RESIN FILLING
PROTECTIVE MECHANISM	SELF HEALING
SQUARE PLASTIC CASE	FLAME RETARDANT HEAT SINK PLASTIC CASE (UL94V-0)
LIFE EXPECTANCY	100,000 HOURS TYP.
SOLDERING HEAT TEST	TEMPERATURE = 260 \pm 5°C FOR 10 SECS
DISSIPATION FACTOR	DF VALUE \leq 0.8 %, MEASURED AT 25 \pm 5°C, 1 kHz
INSULATION RESISTANCE (RINS)	C>0.33 μ F \geq 3,000 SEC (M Ω X μ F) AT 25 \pm °C, AFTER 1 MINUTE OF ELECTRIFICATION AT 100VDC

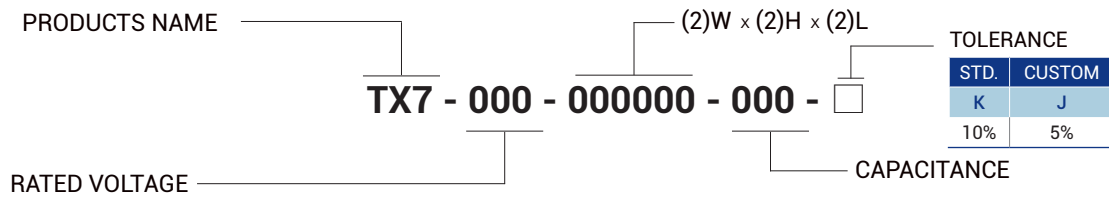
TX7

HIGH VOLTAGE DC CAPACITORS

HIGH TEMPERATURE METALLIZED FILM
AND HEAT SINK CASE
CUSTOM DESIGNS AVAILABLE

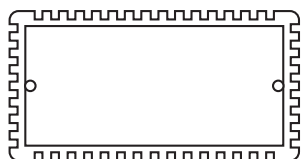
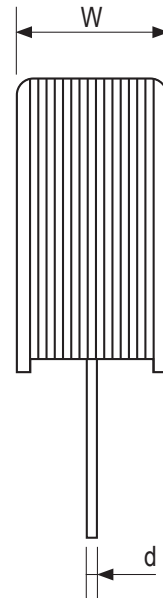
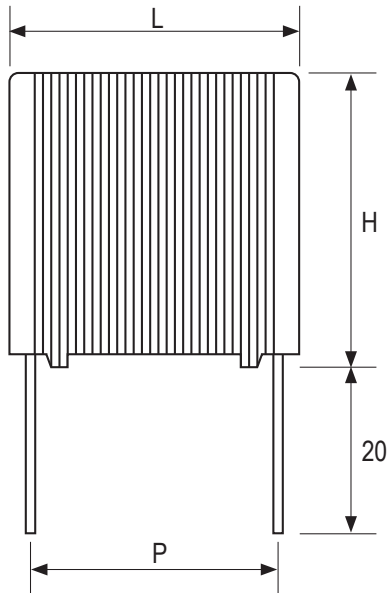
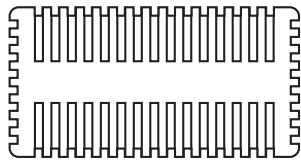


⚡ ORDERING INFORMATION



ALL SPECIFICATIONS MAY CHANGE WITHOUT NOTICE

⚡ DIMENSIONS [mm]



TX7

HIGH VOLTAGE DC CAPACITORS

HIGH TEMPERATURE METALLIZED FILM
AND HEAT SINK CASE
CUSTOM DESIGNS AVAILABLE



500VDC, RATED VOLTAGE									
VOLTAGE [V]		CAP ⁽³⁾	DIMENSIONS [mm]				LEAD	CURRENT	ORDERING CODE
VDC	V-PEAK ⁽¹⁾	μF	W	H	L	P	AWG	I-PEAK ⁽²⁾ [A]	
500	700	5	16	25	35	29	0.8	425	TX7-005-162535-505-K
500	700	6	16	25	35	29	0.8	510	TX7-005-162535-605-K
500	700	8	16	25	35	29	0.8	680	TX7-005-162535-805-K
500	700	10	16	25	35	29	0.8	850	TX7-005-162535-106-K
500	700	15	18	35.5	35	29	0.8	1050	TX7-005-183635-156-K
500	700	20	20	37	35	29	0.8	1300	TX7-005-203735-206-K

**CAPACITANCE AND THREADS TERMINAL AVAILABLE AS CUSTOM.

(1) NON-REPETITIVE PEAK VOLTAGE LESS THAN 00ms TYP.

(2) NON-REPETITIVE PEAK CURRENT LESS THAN 00ms TYP.

(3) MEASURED AT 1kHz ±20Hz AT 25°C

ALL INFORMATION ON THE FILE MAY CHANGE WITHOUT NOTICE

#303 Hyundai I Valley, 149 Gongdanro, Gunpo City, Gyeonggi-do, Korea

VOICE. +82-31-429-6379 FAX. +82-31-429-9127

info@3RLab.com www.3RLab.com 3RLab, Inc.



UPDATE 2023-05-03