

# IX7

HIGH VOLTAGE DC FILM CAPACITORS

IGBT SNUBBER CAPACITORS

CUSTOM DESIGNS AVAILABLE



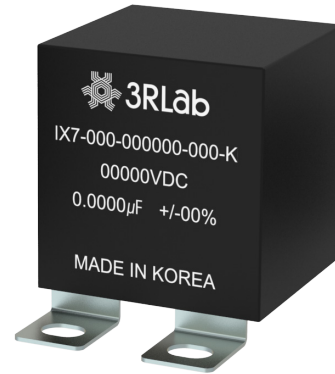
## MAIN FEATURES:

- SELF-HEALING METALLIZED POLYPROPYLENE FILM
- PLASTIC CASE AND EPOXY FILLING



## MAIN APPLICATIONS:

- SNUBBER
- HIGH CURRENT, HIGH PULSE APPLICATIONS
- ENERGY CONVERSION AND CONTROL IN POWER SEMICONDUCTOR CIRCUITS
- SMPS, SWITCHING APPLICATIONS, MOTER SPEED CONTROLS



## SPECIFICATIONS

DC VOLTAGE RANGE	700~10000 VDC
CAPACITANCE RANGE	UP TO 9 µF
CAPACITANCE TOLERANCE (+25°C)	STANDARD: ±10% ON REQUEST ±5%
EQUIVALENT SERIES RESISTANCE (ESR)	< 4.5 mΩ
MAXIMUM VOLTAGE RATE OF RISE(dV/dT)	≤ 3000 V/µs
TERMINALS	TIN COPPER LUG
VOLTAGE TEST	RATED VOLTAGE X 1.5 TIMES FOR 10 SECS
WORKING & STORAGE TEMPERATURE	-55 / +85 °C
FILLING	FLAME RETARDANT EPOXY UL94V-0 RESIN
PROTECTIVE MECHANISM	SELF HEALING
SQUARE CASE	FLAME RETARDANT PBT UL94V-0
LIFE EXPECTANCY	100,000 HOURS TYP.
SOLDERING HEAT TEST	TEMPERATURE = 260±5°C FOR 10 SECS
DISSIPATION FACTOR	DF VALUE ≤ 0.05 %, MEASURED AT 25 ±5°C, 1 kHz
INSULATION RESISTANCE (RINS)	C ≤0.33µF ≥100,000MΩ, C>0.33µF≥30,000 SEC (MΩ X µF) AT 25±°C, AFTER 1 MINUTE OF ELECTRIFICATION AT 250VDC

# IX7

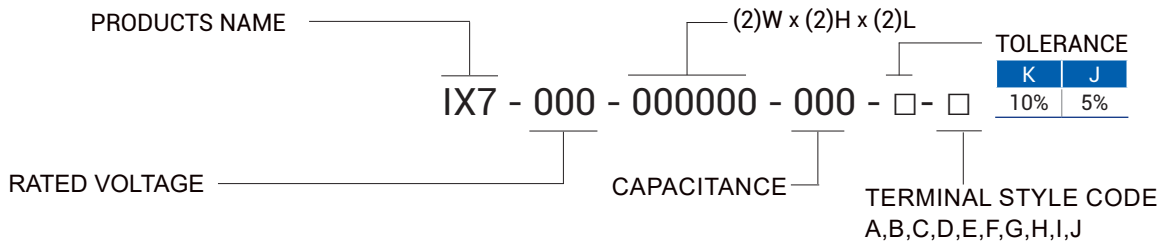
HIGH VOLTAGE DC FILM CAPACITORS

IGBT SNUBBER CAPACITORS

CUSTOM DESIGNS AVAILABLE



## ORDERING INFORMATION

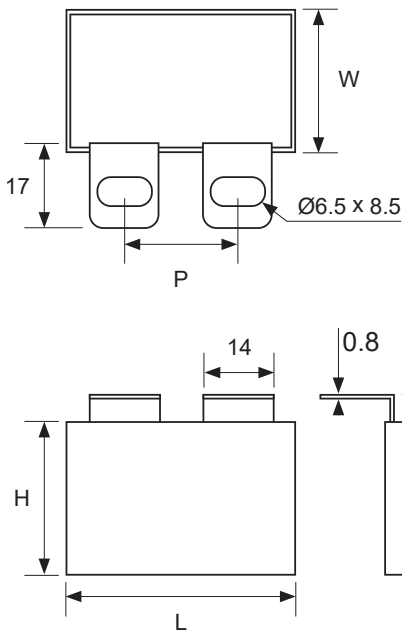


ALL SPECIFICATIONS MAY CHANGE WITHOUT NOTICE



## DIMENSIONS [mm]

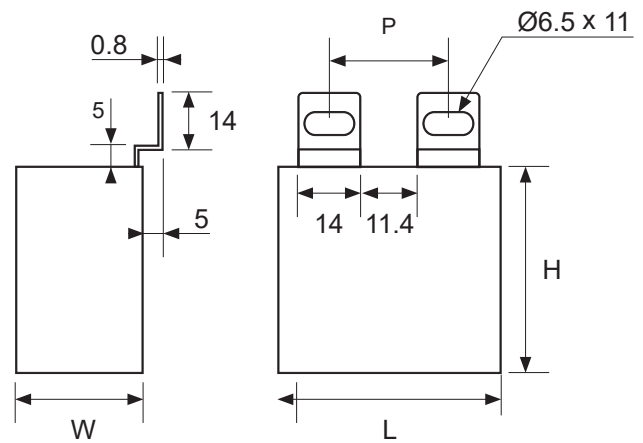
### TYPE - A



L	P
41.5	25
42.5	25
45	25
57	37
68	48

\* CUSTOM PITCH AVAILABLE  
\* CUSTOM HOLES CLEAR AVAILABLE

### TYPE - B



L	P
41.5	25
42.5	25
45	25
57	37
68	48

\* CUSTOM PITCH AVAILABLE  
\* CUSTOM HOLES CLEAR AVAILABLE

# IX7

HIGH VOLTAGE DC FILM CAPACITORS

IGBT SNUBBER CAPACITORS

CUSTOM DESIGNS AVAILABLE



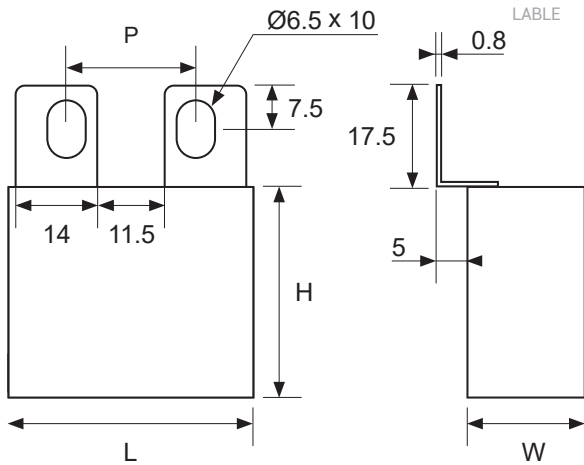
3R Lab

## DIMENSIONS [mm]

### | TYPE - C

L	P
41.5	25
42.5	25
45	25
57	37
68	48

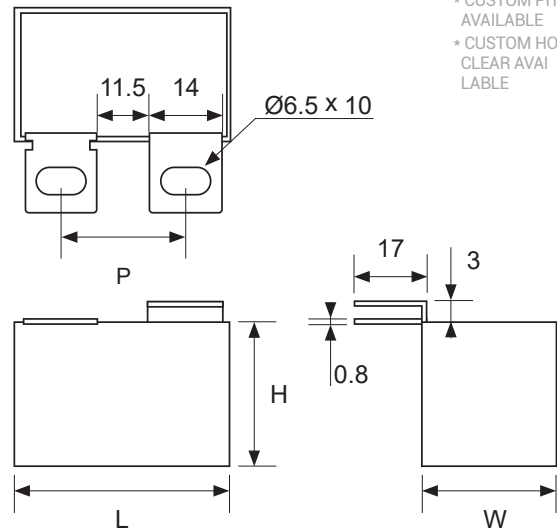
\* CUSTOM PITCH AVAILABLE  
\* CUSTOM HOLES CLEAR AVAILABLE



### | TYPE - D

L	P
41.5	25
42.5	25
45	25
57	37
68	48

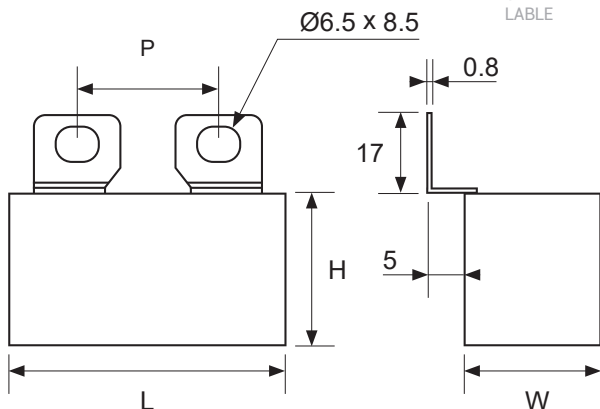
\* CUSTOM PITCH AVAILABLE  
\* CUSTOM HOLES CLEAR AVAILABLE



### | TYPE - E

L	P
41.5	25
42.5	25
45	25
57	37
68	48

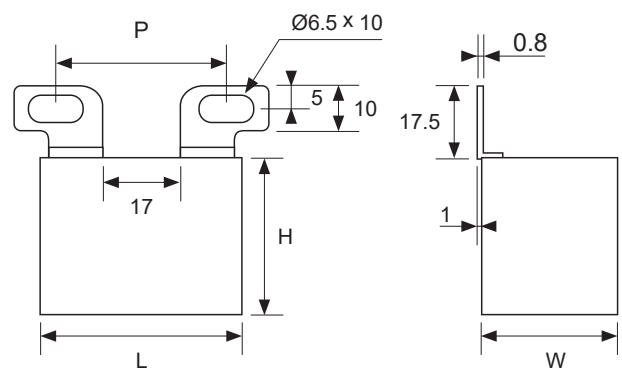
\* CUSTOM PITCH AVAILABLE  
\* CUSTOM HOLES CLEAR AVAILABLE



### | TYPE - F

L	P
41.5	38.5
42.5	38.5
45	38.5
57	50
68	60

\* CUSTOM PITCH AVAILABLE  
\* CUSTOM HOLES CLEAR AVAILABLE



# IX7

HIGH VOLTAGE DC FILM CAPACITORS

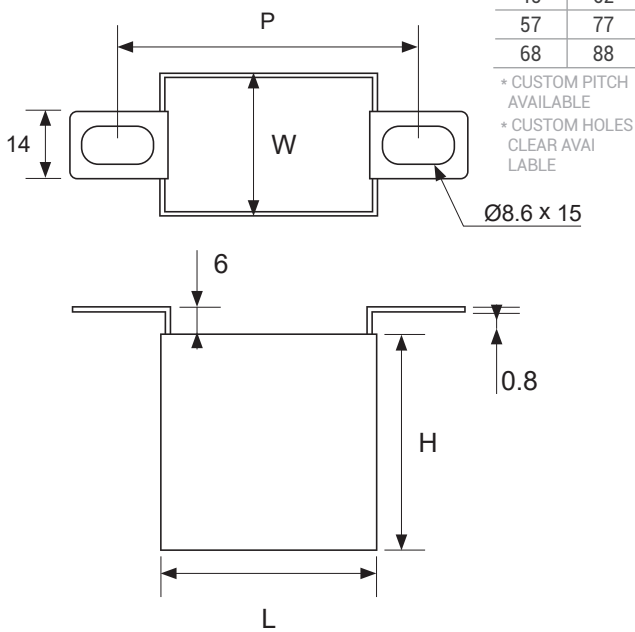
IGBT SNUBBER CAPACITORS

CUSTOM DESIGNS AVAILABLE



## DIMENSIONS [mm]

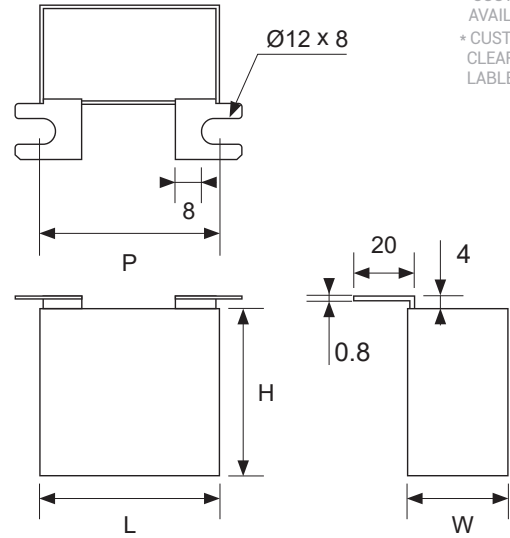
| TYPE - G



L	P
41.5	60
42.5	60
45	62
57	77
68	88

\* CUSTOM PITCH AVAILABLE  
\* CUSTOM HOLES CLEAR AVAILABLE

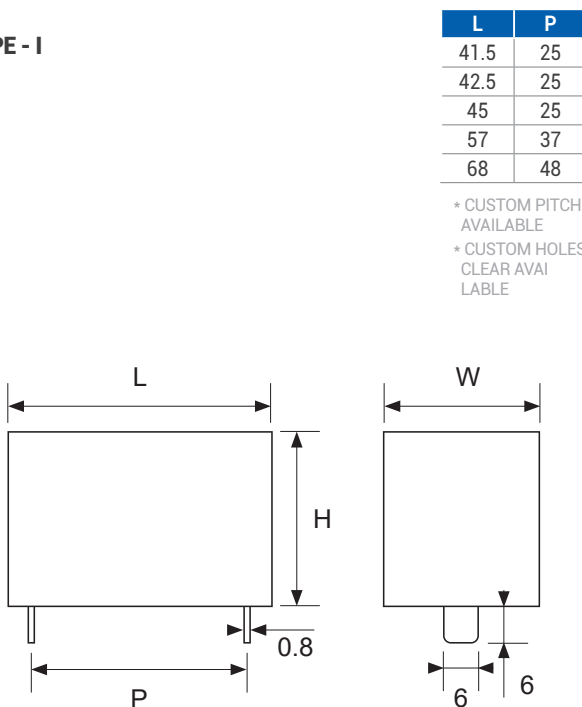
| TYPE - H



L	P
41.5	25
42.5	25
45	25
57	37
68	48

\* CUSTOM PITCH AVAILABLE  
\* CUSTOM HOLES CLEAR AVAILABLE

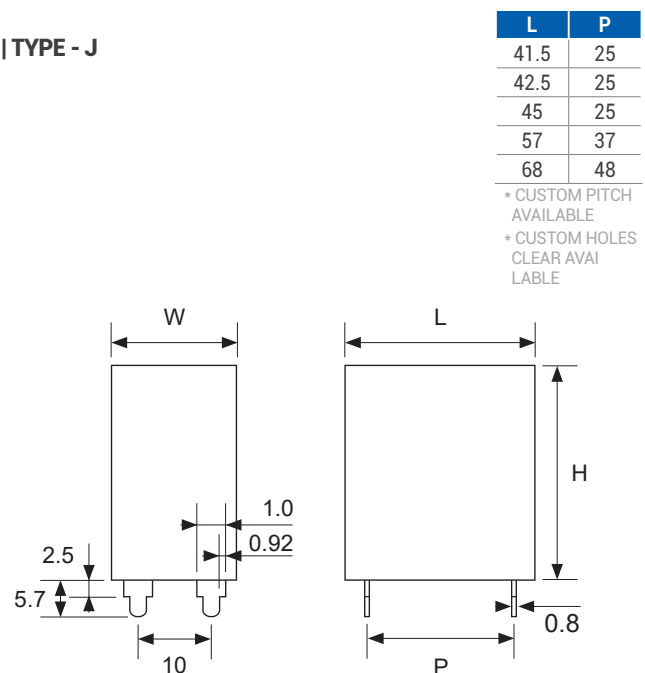
| TYPE - I



L	P
41.5	25
42.5	25
45	25
57	37
68	48

\* CUSTOM PITCH AVAILABLE  
\* CUSTOM HOLES CLEAR AVAILABLE

| TYPE - J



L	P
41.5	25
42.5	25
45	25
57	37
68	48

\* CUSTOM PITCH AVAILABLE  
\* CUSTOM HOLES CLEAR AVAILABLE

# IX7

HIGH VOLTAGE DC FILM CAPACITORS

IGBT SNUBBER CAPACITORS

CUSTOM DESIGNS AVAILABLE



700VDC, RATED VOLTAGE							
VOLTAGE [V]		CAP <sup>(3)</sup>	DIMENSIONS [mm]			CURRENT	ORDERING CODE
VDC	V-PEAK <sup>(1)</sup>	μF	W	H	L	I-PEAK <sup>(2)</sup> [A]	
700	1000	0.33	17	28	42.5	198	IX7-070-172842-334-K-□
700	1000	0.47	17	28	42.5	282	IX7-070-172842-474-K-□
700	1000	0.68	17	28	42.5	408	IX7-070-172842-684-K-□
700	1000	1	24	31.4	41.5	600	IX7-070-243141-105-K-□
700	1000	1.2	24	31.4	41.5	720	IX7-070-243141-125-K-□
700	1000	1.5	24	31.4	41.5	900	IX7-070-243141-155-K-□
700	1000	2	34	36	45	900	IX7-070-343645-205-K-□
700	1000	2.2	34	36	45	990	IX7-070-343645-225-K-□
700	1000	2.5	34	36	45	1125	IX7-070-343645-255-K-□
700	1000	3	34	36	45	1350	IX7-070-343645-305-K-□
700	1000	3.3	34	45	45	1485	IX7-070-344545-335-K-□
700	1000	4	34	45	45	1800	IX7-070-344545-405-K-□
700	1000	4.7	42	47	45	2115	IX7-070-424745-475-K-□
700	1000	5	42	47	45	2250	IX7-070-424745-505-K-□
700	1000	5.5	35	50	57	1650	IX7-070-355057-555-K-□
700	1000	6	38	54	57	1800	IX7-070-385457-605-K-□
700	1000	7	50	55	57	2100	IX7-070-505557-705-K-□
700	1000	8	50	55	57	2400	IX7-070-505557-805-K-□
700	1000	9	50	55	57	2700	IX7-070-505557-905-K-□

\*\*CUSTOM CAPACITANCE AND THREAD TERMINALS ARE AVAILABLE

(1) NON-REPETITIVE PEAK VOLTAGE LESS THAN 00μs TYP.

(2) NON-REPETITIVE PEAK CURRENT LESS THAN 00μs TYP.

(3) MEASURED AT 1kHz ±20Hz AT 25°C

(4) THESE PITCH DIMENSIONS APPLY ONLY TO STANDARD MODELS.

3RLab PROVIDES VARIOUS TYPES OF TERMINALS.

PLEASE CHECK THE OTHER TERMINAL-STYLE MODELS ON THE DIMENSION PAGE.

# IX7

## HIGH VOLTAGE DC FILM CAPACITORS

IGBT SNUBBER CAPACITORS

CUSTOM DESIGNS AVAILABLE



850VDC, RATED VOLTAGE							
VOLTAGE [V]		CAP <sup>(3)</sup>	DIMENSIONS [mm]			CURRENT	ORDERING CODE
VDC	V -PEAK <sup>(1)</sup>	μF	W	H	L	I-PEAK <sup>(2)</sup> [A]	
850	1300	0.33	17	28	42.5	264	IX7-085-172842-334-K-□
850	1300	0.47	17	28	42.5	376	IX7-085-172842-474-K-□
850	1300	0.68	17	28	42.5	544	IX7-085-172842-684-K-□
850	1300	1	24	31.4	41.5	800	IX7-085-243141-105-K-□
850	1300	1.2	24	31.4	41.5	960	IX7-085-243141-125-K-□
850	1300	1.5	34	36	45	750	IX7-085-343645-155-K-□
850	1300	2	34	36	45	1000	IX7-085-343645-205-K-□
850	1300	2.2	34	36	45	1100	IX7-085-343645-225-K-□
850	1300	2.5	34	45	45	1250	IX7-085-344545-255-K-□
850	1300	3	34	45	45	1500	IX7-085-344545-305-K-□
850	1300	3.3	42	47	45	1650	IX7-085-424745-335-K-□
850	1300	4	42	47	45	2000	IX7-085-424745-405-K-□
850	1300	4.7	35	50	57	1645	IX7-085-355057-475-K-□
850	1300	5	38	54	57	1750	IX7-085-385457-505-K-□
850	1300	5.5	38	54	57	1925	IX7-085-385457-555-K-□
850	1300	6	50	55	57	2100	IX7-085-505557-605-K-□
850	1300	7	50	55	57	2450	IX7-085-505557-705-K-□

\*\*CUSTOM CAPACITANCE AND THREAD TERMINALS ARE AVAILABLE

(1) NON-REPETITIVE PEAK VOLTAGE LESS THAN 00μs TYP.

(2) NON-REPETITIVE PEAK CURRENT LESS THAN 00μs TYP.

(3) MEASURED AT 1kHz ±20Hz AT 25°C

(4) THESE PITCH DIMENSIONS APPLY ONLY TO STANDARD MODELS.

3RLab PROVIDES VARIOUS TYPES OF TERMINALS.

PLEASE CHECK THE OTHER TERMINAL-STYLE MODELS ON THE DIMENSION PAGE.

# IX7

HIGH VOLTAGE DC FILM CAPACITORS

IGBT SNUBBER CAPACITORS

CUSTOM DESIGNS AVAILABLE



1000VDC, RATED VOLTAGE							
VOLTAGE [V]		CAP <sup>(3)</sup>	DIMENSIONS [mm]			CURRENT	ORDERING CODE
VDC	V-PEAK <sup>(1)</sup>	μF	W	H	L	I-PEAK <sup>(2)</sup> [A]	
1000	1550	0.33	17	28	42.5	281	IX7-100-172842-334-K-□
1000	1550	0.47	17	28	42.5	400	IX7-100-172842-474-K-□
1000	1550	0.68	24	31.4	41.5	578	IX7-100-243141-684-K-□
1000	1550	1	24	31.4	41.5	850	IX7-100-243141-105-K-□
1000	1550	1.2	34	36	45	660	IX7-100-343645-125-K-□
1000	1550	1.5	34	36	45	825	IX7-100-343645-155-K-□
1000	1550	2	42	47	45	1100	IX7-100-424745-205-K-□
1000	1550	2.2	42	47	45	1210	IX7-100-424745-225-K-□
1000	1550	2.5	42	47	45	1375	IX7-100-424745-255-K-□
1000	1550	3	42	47	45	1650	IX7-100-424745-305-K-□
1000	1550	3.3	35	50	57	1320	IX7-100-355057-335-K-□
1000	1550	4	35	50	57	1600	IX7-100-355057-405-K-□
1000	1550	4.7	38	54	57	1880	IX7-100-385457-475-K-□
1000	1550	5	38	54	57	2000	IX7-100-385457-505-K-□
1000	1550	5.5	50	55	57	2200	IX7-100-505557-555-K-□
1000	1550	6	50	55	57	2400	IX7-100-505557-605-K-□

\*\*CUSTOM CAPACITANCE AND THREAD TERMINALS ARE AVAILABLE

(1) NON-REPETITIVE PEAK VOLTAGE LESS THAN 00μs TYP.

(2) NON-REPETITIVE PEAK CURRENT LESS THAN 00μs TYP.

(3) MEASURED AT 1kHz ±20Hz AT 25°C

(4) THESE PITCH DIMENSIONS APPLY ONLY TO STANDARD MODELS.

3RLab PROVIDES VARIOUS TYPES OF TERMINALS.

PLEASE CHECK THE OTHER TERMINAL-STYLE MODELS ON THE DIMENSION PAGE.

# IX7

HIGH VOLTAGE DC FILM CAPACITORS

IGBT SNUBBER CAPACITORS

CUSTOM DESIGNS AVAILABLE



1250VDC, RATED VOLTAGE							
VOLTAGE [V]		CAP <sup>(3)</sup>	DIMENSIONS [mm]			CURRENT	ORDERING CODE
VDC	V-PEAK <sup>(1)</sup>	μF	W	H	L	I-PEAK <sup>(2)</sup> [A]	
1250	1800	0.22	17	28	42.5	242	IX7-125-172842-224-K-□
1250	1800	0.33	17	28	42.5	363	IX7-125-172842-334-K-□
1250	1800	0.47	17	28	42.5	517	IX7-125-172842-474-K-□
1250	1800	0.68	24	31.4	41.5	748	IX7-125-243141-684-K-□
1250	1800	1	34	36	45	700	IX7-125-343645-105-K-□
1250	1800	1.2	34	36	45	840	IX7-125-343645-125-K-□
1250	1800	1.5	34	36	45	1050	IX7-125-343645-155-K-□
1250	1800	2	34	45	45	1400	IX7-125-344545-205-K-□
1250	1800	2.2	42	47	45	1540	IX7-125-424745-225-K-□
1250	1800	2.5	42	47	45	1750	IX7-125-424745-255-K-□
1250	1800	3	35	50	57	1500	IX7-125-355057-305-K-□
1250	1800	3.3	38	54	57	1650	IX7-125-385457-335-K-□
1250	1800	4	38	54	57	2000	IX7-125-385457-405-K-□
1250	1800	4.7	50	55	57	2350	IX7-125-505557-475-K-□
1250	1800	5	50	55	57	2500	IX7-125-505557-505-K-□

\*\*CUSTOM CAPACITANCE AND THREAD TERMINALS ARE AVAILABLE

(1) NON-REPETITIVE PEAK VOLTAGE LESS THAN 00μs TYP.

(2) NON-REPETITIVE PEAK CURRENT LESS THAN 00μs TYP.

(3) MEASURED AT 1kHz ±20Hz AT 25°C

(4) THESE PITCH DIMENSIONS APPLY ONLY TO STANDARD MODELS.

3RLab PROVIDES VARIOUS TYPES OF TERMINALS.

PLEASE CHECK THE OTHER TERMINAL-STYLE MODELS ON THE DIMENSION PAGE.



# IX7

## HIGH VOLTAGE DC FILM CAPACITORS

IGBT SNUBBER CAPACITORS

CUSTOM DESIGNS AVAILABLE



1600VDC, RATED VOLTAGE							
VOLTAGE [V]		CAP <sup>(3)</sup>	DIMENSIONS [mm]			CURRENT	ORDERING CODE
VDC	V-PEAK <sup>(1)</sup>	μF	W	H	L	I-PEAK <sup>(2)</sup> [A]	
1600	2400	0.15	17	28	42.5	180	IX7-160-172842-154-K-□
1600	2400	0.22	17	28	42.5	264	IX7-160-172842-224-K-□
1600	2400	0.33	24	31.4	41.5	396	IX7-160-243141-334-K-□
1600	2400	0.47	24	31.4	41.5	564	IX7-160-243141-474-K-□
1600	2400	0.68	34	36	45	544	IX7-160-343645-684-K-□
1600	2400	1	34	36	45	800	IX7-160-343645-105-K-□
1600	2400	1.2	34	45	45	960	IX7-160-344545-125-K-□
1600	2400	1.5	42	47	45	1200	IX7-160-424745-155-K-□
1600	2400	2	35	50	57	1200	IX7-160-355057-205-K-□
1600	2400	2.2	38	54	57	1320	IX7-160-385457-225-K-□
1600	2400	2.5	38	54	57	1500	IX7-160-385457-255-K-□
1600	2400	3	50	55	57	1800	IX7-160-505557-305-K-□
1600	2400	3.3	50	55	57	1980	IX7-160-505557-335-K-□

\*\*CAPACITANCE AND THREADS TERMINAL AVAILABLE AS CUSTOM.

(1) NON-REPETITIVE PEAK VOLTAGE LESS THAN 00μs TYP.

(2) NON-REPETITIVE PEAK CURRENT LESS THAN 00μs TYP.

(3) MEASURED AT 1kHz ±20Hz AT 25°C

(4) THIS PITCH DIMENSIONS APPLIES ONLY TO STANDARD MODELS.

3RLab PROVIDE VARIOUS TYPES OF TERMINALS.

PLEASE CHECK THE OTHER TERMINAL STYLE MODEL DIMENSIONS PAGE.

# IX7

HIGH VOLTAGE DC FILM CAPACITORS

IGBT SNUBBER CAPACITORS

CUSTOM DESIGNS AVAILABLE



2000VDC, RATED VOLTAGE							
VOLTAGE [V]		CAP <sup>(3)</sup>	DIMENSIONS [mm]			CURRENT	ORDERING CODE
VDC	V -PEAK <sup>(1)</sup>	μF	W	H	L	I-PEAK <sup>(2)</sup> [A]	
2000	3000	0.1	17	28	42.5	130	IX7-200-172842-104-K-□
2000	3000	0.15	17	28	42.5	195	IX7-200-172842-154-K-□
2000	3000	0.22	17	28	42.5	286	IX7-200-172842-224-K-□
2000	3000	0.33	24	31.4	41.5	429	IX7-200-243141-334-K-□
2000	3000	0.47	34	36	45	400	IX7-200-343645-474-K-□
2000	3000	0.68	34	36	45	578	IX7-200-343645-684-K-□
2000	3000	1	42	47	45	850	IX7-200-424745-105-K-□
2000	3000	1.2	42	47	45	1020	IX7-200-424745-125-K-□
2000	3000	1.5	35	50	57	975	IX7-200-355057-155-K-□
2000	3000	2	50	55	57	1300	IX7-200-505557-205-K-□
2000	3000	2.2	50	55	57	1430	IX7-200-505557-225-K-□

\*\*CUSTOM CAPACITANCE AND THREAD TERMINALS ARE AVAILABLE

(1) NON-REPETITIVE PEAK VOLTAGE LESS THAN 00ms TYP.

(2) NON-REPETITIVE PEAK CURRENT LESS THAN 00ms TYP.

(3) MEASURED AT 1kHz ±20Hz AT 25°C

(4) THESE PITCH DIMENSIONS APPLY ONLY TO STANDARD MODELS.

3RLab PROVIDES VARIOUS TYPES OF TERMINALS.

PLEASE CHECK THE OTHER TERMINAL-STYLE MODELS ON THE DIMENSION PAGE.

# IX7

HIGH VOLTAGE DC FILM CAPACITORS

IGBT SNUBBER CAPACITORS

CUSTOM DESIGNS AVAILABLE



3000VDC, RATED VOLTAGE							
VOLTAGE [V]		CAP <sup>(3)</sup>	DIMENSIONS [mm]			CURRENT	ORDERING CODE
VDC	V -PEAK <sup>(1)</sup>	μF	W	H	L	I-PEAK <sup>(2)</sup> [A]	
3000	4500	0.047	17	28	42.5	75	IX7-300-172842-473-K-□
3000	4500	0.068	17	28	42.5	109	IX7-300-172842-683-K-□
3000	4500	0.1	17	28	42.5	160	IX7-300-172842-104-K-□
3000	4500	0.15	24	31.4	41.5	240	IX7-300-243141-154-K-□
3000	4500	0.22	34	36	45	220	IX7-300-343645-224-K-□
3000	4500	0.33	34	36	45	330	IX7-300-343645-334-K-□
3000	4500	0.47	34	45	45	470	IX7-300-344545-474-K-□
3000	4500	0.68	35	50	57	578	IX7-300-355057-684-K-□
3000	4500	1	50	55	57	850	IX7-300-505557-105-K-□
3000	4500	1.2	50	55	68	960	IX7-300-505568-125-K-□

\*\*CUSTOM CAPACITANCE AND THREAD TERMINALS ARE AVAILABLE

(1) NON-REPETITIVE PEAK VOLTAGE LESS THAN 00ms TYP.

(2) NON-REPETITIVE PEAK CURRENT LESS THAN 00ms TYP.

(3) MEASURED AT 1kHz ±20Hz AT 25°C

(4) THESE PITCH DIMENSIONS APPLY ONLY TO STANDARD MODELS.

3RLab PROVIDES VARIOUS TYPES OF TERMINALS.

PLEASE CHECK THE OTHER TERMINAL-STYLE MODELS ON THE DIMENSION PAGE.

# IX7

HIGH VOLTAGE DC FILM CAPACITORS

IGBT SNUBBER CAPACITORS

CUSTOM DESIGNS AVAILABLE



4000VDC, RATED VOLTAGE							
VOLTAGE [V]		CAP <sup>(3)</sup>	DIMENSIONS [mm]			CURRENT	ORDERING CODE
VDC	V-PEAK <sup>(1)</sup>	μF	W	H	L	I-PEAK <sup>(2)</sup> [A]	
4000	6000	0.022	17	28	42.5	42	IX7-400-172842-223-K-□
4000	6000	0.033	17	28	42.5	63	IX7-400-172842-333-K-□
4000	6000	0.047	24	31.4	41.5	89	IX7-400-243141-473-K-□
4000	6000	0.068	24	31.4	41.5	129	IX7-400-243141-683-K-□
4000	6000	0.1	24	31.4	41.5	190	IX7-400-243141-104-K-□
4000	6000	0.15	34	36	45	195	IX7-400-343645-154-K-□
4000	6000	0.22	34	45	45	286	IX7-400-344545-224-K-□
4000	6000	0.33	35	50	57	429	IX7-400-355057-334-K-□
4000	6000	0.47	50	55	57	611	IX7-400-505557-474-K-□
4000	6000	0.68	50	55	68	680	IX7-400-505568-684-K-□

\*\*CUSTOM CAPACITANCE AND THREAD TERMINALS ARE AVAILABLE

(1) NON-REPETITIVE PEAK VOLTAGE LESS THAN 00ms TYP.

(2) NON-REPETITIVE PEAK CURRENT LESS THAN 00ms TYP.

(3) MEASURED AT 1kHz ±20Hz AT 25°C

(4) THESE PITCH DIMENSIONS APPLY ONLY TO STANDARD MODELS.

3RLab PROVIDES VARIOUS TYPES OF TERMINALS.

PLEASE CHECK THE OTHER TERMINAL-STYLE MODELS ON THE DIMENSION PAGE.

# IX7

HIGH VOLTAGE DC FILM CAPACITORS

IGBT SNUBBER CAPACITORS

CUSTOM DESIGNS AVAILABLE



5000VDC, RATED VOLTAGE							
VOLTAGE [V]		CAP <sup>(3)</sup>	DIMENSIONS [mm]			CURRENT	ORDERING CODE
VDC	V -PEAK <sup>(1)</sup>	μF	W	H	L	I-PEAK <sup>(2)</sup> [A]	
5000	7000	0.015	17	28	42.5	33	IX7-500-172842-153-K-□
5000	7000	0.022	17	28	42.5	48	IX7-500-172842-223-K-□
5000	7000	0.033	17	28	42.5	73	IX7-500-172842-333-K-□
5000	7000	0.047	24	31.4	41.5	103	IX7-500-243141-473-K-□
5000	7000	0.068	34	36	45	102	IX7-500-343645-683-K-□
5000	7000	0.1	34	36	45	150	IX7-500-343645-104-K-□
5000	7000	0.15	34	45	45	225	IX7-500-344545-154-K-□
5000	7000	0.22	35	50	57	330	IX7-500-355057-224-K-□
5000	7000	0.33	50	55	57	495	IX7-500-505557-334-K-□
5000	7000	0.47	50	55	68	564	IX7-500-505568-474-K-□

\*\*CUSTOM CAPACITANCE AND THREAD TERMINALS ARE AVAILABLE

(1) NON-REPETITIVE PEAK VOLTAGE LESS THAN 00ms TYP.

(2) NON-REPETITIVE PEAK CURRENT LESS THAN 00ms TYP.

(3) MEASURED AT 1kHz ±20Hz AT 25°C

(4) THESE PITCH DIMENSIONS APPLY ONLY TO STANDARD MODELS.

3RLab PROVIDES VARIOUS TYPES OF TERMINALS.

PLEASE CHECK THE OTHER TERMINAL-STYLE MODELS ON THE DIMENSION PAGE.

# IX7

HIGH VOLTAGE DC FILM CAPACITORS

IGBT SNUBBER CAPACITORS

CUSTOM DESIGNS AVAILABLE



8000VDC, RATED VOLTAGE							
VOLTAGE [V]		CAP <sup>(3)</sup>	DIMENSIONS [mm]			CURRENT	ORDERING CODE
VDC	V -PEAK <sup>(1)</sup>	μF	W	H	L	I-PEAK <sup>(2)</sup> [A]	
8000	11500	0.0033	17	28	42.5	8	IX7-800-172842-332-K-□
8000	11500	0.0047	17	28	42.5	12	IX7-800-172842-472-K-□
8000	11500	0.0068	17	28	42.5	17	IX7-800-172842-682-K-□
8000	11500	0.01	24	31.4	41.5	25	IX7-800-243141-103-K-□
8000	11500	0.015	24	31.4	41.5	38	IX7-800-243141-153-K-□
8000	11500	0.022	34	36	45	37	IX7-800-343645-223-K-□
8000	11500	0.033	42	47	45	56	IX7-800-424745-333-K-□
8000	11500	0.047	35	50	57	80	IX7-800-355057-473-K-□
8000	11500	0.068	35	50	57	116	IX7-800-355057-683-K-□
8000	11500	0.1	50	55	57	170	IX7-800-505557-104-K-□
8000	11500	0.15	50	55	68	210	IX7-800-505568-154-K-□

\*\*CUSTOM CAPACITANCE AND THREAD TERMINALS ARE AVAILABLE

(1) NON-REPETITIVE PEAK VOLTAGE LESS THAN 00ms TYP.

(2) NON-REPETITIVE PEAK CURRENT LESS THAN 00ms TYP.

(3) MEASURED AT 1kHz ±20Hz AT 25°C

(4) THESE PITCH DIMENSIONS APPLY ONLY TO STANDARD MODELS.

3R Lab PROVIDES VARIOUS TYPES OF TERMINALS.

PLEASE CHECK THE OTHER TERMINAL-STYLE MODELS ON THE DIMENSION PAGE.

# IX7

HIGH VOLTAGE DC FILM CAPACITORS

IGBT SNUBBER CAPACITORS

CUSTOM DESIGNS AVAILABLE



10000VDC, RATED VOLTAGE							
VOLTAGE [V]		CAP <sup>(3)</sup>	DIMENSIONS [mm]			CURRENT	ORDERING CODE
VDC	V -PEAK <sup>(1)</sup>	μF	W	H	L	I-PEAK <sup>(2)</sup> [A]	
10000	14000	0.0022	17	28	42.5	6.2	IX7-10K-172842-222-K-□
10000	14000	0.0033	17	28	42.5	9.2	IX7-10K-172842-332-K-□
10000	14000	0.0047	17	28	42.5	13.2	IX7-10K-172842-472-K-□
10000	14000	0.0068	24	31.4	41.5	19	IX7-10K-243141-682-K-□
10000	14000	0.01	24	31.4	41.5	28	IX7-10K-243141-103-K-□
10000	14000	0.015	34	36	45	30	IX7-10K-343645-153-K-□
10000	14000	0.022	42	47	45	44	IX7-10K-424745-223-K-□
10000	14000	0.033	35	50	57	66	IX7-10K-355057-333-K-□
10000	14000	0.047	35	50	57	94	IX7-10K-355057-473-K-□
10000	14000	0.068	50	55	57	136	IX7-10K-505557-683-K-□
10000	14000	0.1	50	55	68	160	IX7-10K-505568-104-K-□

\*\*CUSTOM CAPACITANCE AND THREAD TERMINALS ARE AVAILABLE

(1) NON-REPETITIVE PEAK VOLTAGE LESS THAN 00ms TYP.

(2) NON-REPETITIVE PEAK CURRENT LESS THAN 00ms TYP.

(3) MEASURED AT 1kHz ±20Hz AT 25°C

(4) THESE PITCH DIMENSIONS APPLY ONLY TO STANDARD MODELS.

3RLab PROVIDES VARIOUS TYPES OF TERMINALS.

PLEASE CHECK THE OTHER TERMINAL-STYLE MODELS ON THE DIMENSION PAGE.

ALL INFORMATION ON THE FILE MAY CHANGE WITHOUT NOTICE

#303 Hyundai I Valley, 149 Gongdanro, Gunpo City, Gyeonggi-do, Korea

VOICE. +82-31-429-6379 FAX. +82-31-429-9127

info@3RLab.com www.3RLab.com 3RLab, Inc.



UPDATE 2023-05-03