

Low TCR 2ppm/°C~20ppm/°C Non-Inductive for Ultra Stable HV Calibration System

3RLAB offers the precision of Flat-type LTF-series with ultra-stable Low TCR, Low VCR, Especially for High Voltage Non-Inductive Divider Sets and HV Precision Measurement Systems that are available 0~000pcs connection in serial for HV Calibration Equipment up to 1000kVp.

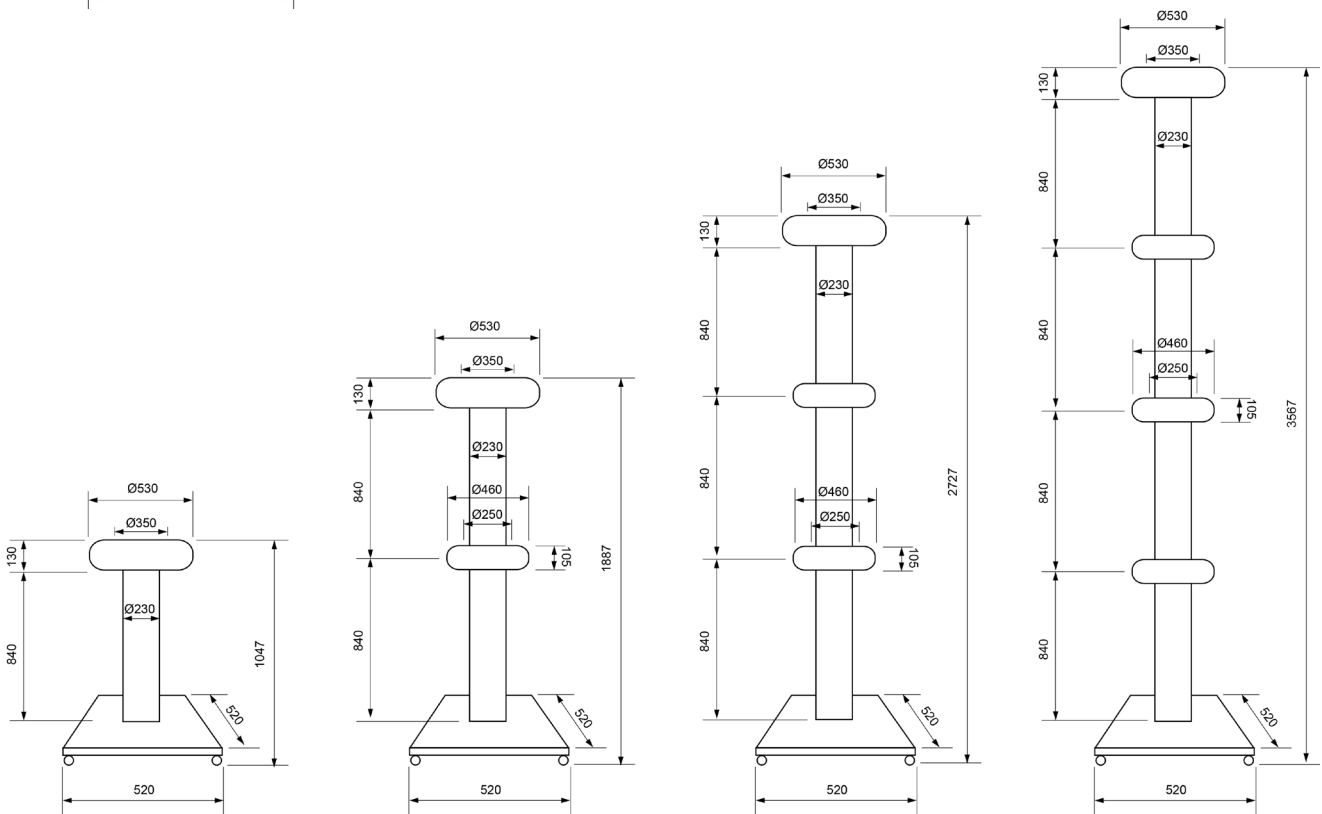
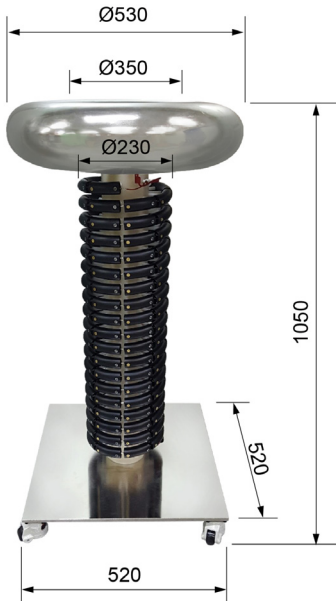
LTF Precision Low TCR High Voltage Resistors

Epoxy conformal coatings have very good humidity protection
Resistance tolerance: 0.1%, 0.3%, 0.5%

- * Temperature Coefficient of Resistance:
2ppm/°C, 3ppm/°C, 5ppm/°C, 7ppm/°C, 10ppm/°C
20ppm/°C from -40°C to +85°C referenced to +25°C
- * Load Life Stability of 0.015%, 0.025% & 0.05% per
1000 hours at rated Voltage
- * Resistance range : 1 MΩ to 200MΩ
- * Various Models related to Voltage Ratings from
1kV to 15kV each in free air 60% humidity.

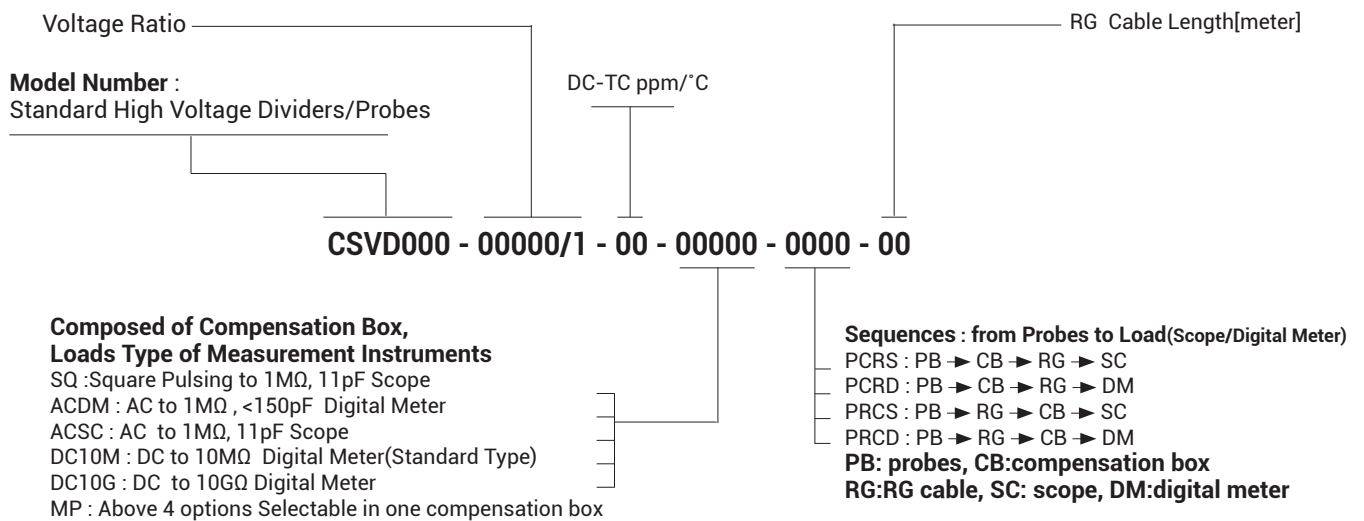


DIMENSIONS[mm]





ORDERING INFORMATION



ALL SPECIFICATIONS MAY CHANGE WITHOUT NOTICE

ALL INFORMATION ON THE FILE MAY CHANGE WITHOUT NOTICE