

CD-SERIES

CAPACITIVE HIGH VOLTAGE PULSE DIVIDERS IN OIL & AIR

*High Voltage Square Pulse & Pulses,
Wave-shape Signal up to 150kVp, 300kVp, 500kVp in oil,
Voltage ratio 10000/1 in normal & custom designs available*



CD-series, Capacitive High Voltage Dividers Pulse, (AC p-p), Dividers in Oil & Air

The CD-series are Capacitive high voltage dividers used for the measurement of pulse voltage 150kVp, 300kVp, 500kVp in stock and up to 1000 kilovolts as custom. 3RLab's high quality and high stability voltage dividers can be coordinated with various designs and sizes for client's application of projects to show in 1M Ω 12pF oscilloscope as well as analog output.

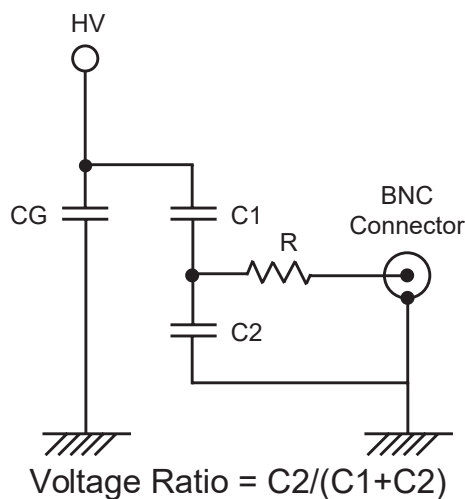
3RLab can supply more detail of test results and data, almost specified data for high voltage engineering that was tested from High Voltage Square Pulse Modulator in our factory. The voltage ratio can be easily adjusted by user's factory.

Various custom designs are available.

Please contact 3RLab, Inc.



Electrical Schematic



CD-SERIES

CAPACITIVE HIGH VOLTAGE PULSE DIVIDERS IN OIL & AIR

High Voltage Square Pulse & Pulses,
Wave-shape Signal up to 150kVp, 300kVp, 500kVp in oil,
Voltage ratio 10000/1 in normal & custom designs available



SPECIFICATIONS

Model Nr.	Unit	CD-150	CD-300	CD-500	Remarks
Max. Pulse Voltage in Oil	[kVp]	150	300	500	
Max. Pulse Voltage in Air	[kVp]	25	50	70	
Voltage Ratio in Oil (standard calibration)		5,000/1	10,000/1	10,000/1	
Dielectric constant of the insulating oil & name		Vegetable Eco High Voltage Oil Prefer			
Voltage Ratio in Air		11,500/1	11,500/1 or 23,000/1	23,000/1	Apprx.
Frequency Range, into 1MΩ load		15 Hz to 4MHz typ.			
RG cable length is attached and supplied as standard	[M]	1	1	1	
Rise time at square pulse	[nSec]	100nSec ~ 200nSec. typ.			
Capacitance (apprx.) in High 'C1', See Fig. Nr. :	[pF]	OpF Typ.			w/o 'CG', Apprx.
Measuring Pulse Duration Typ.		Around 0μSec			
Material of High Voltage Electrodes		Aluminum			
Terminal type of the top in High Voltage Electrodes		Corona Ring & M5 bolt	Corona Ring & M6 bolt		
Material of Bottom/Guard Case		Aluminum			
Material of Bottom Plate		Aluminum			
Material of Upper/High Voltage Insulating Tube**		Poly Carbonate			**do not dip in organic solvent
Drain Oil from Bottom Cases		Yes, Available through holes in bottom plate & bottom cases			
HV connection methods for HV electrodes		See Fig. Nr. :			
How to remove the ground from the HV electrodes		See Fig. Nr. :			

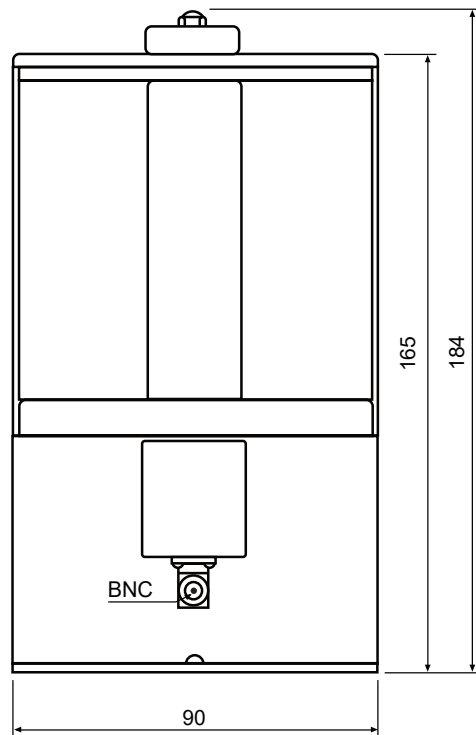
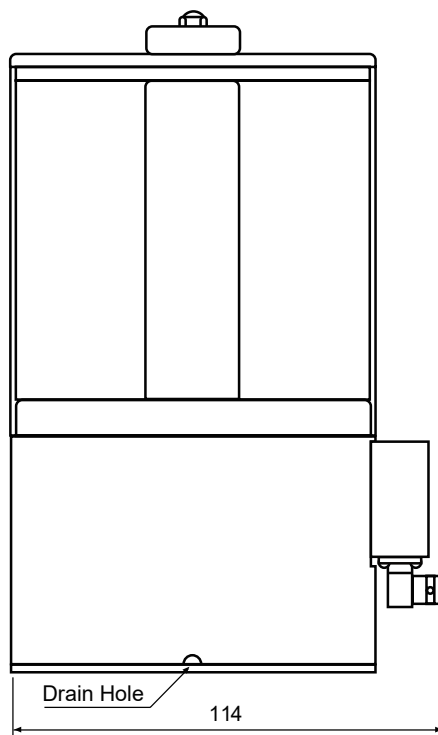
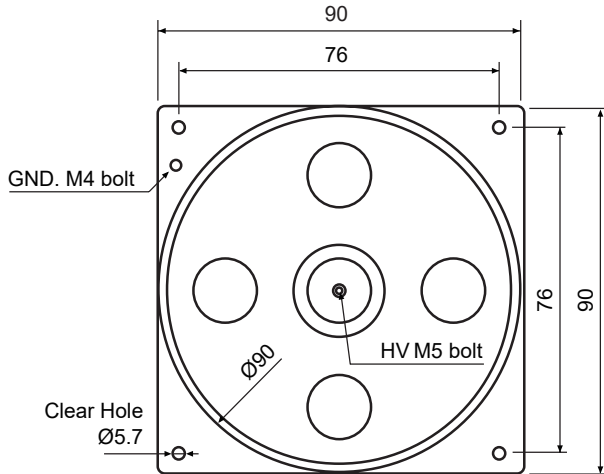
CD-SERIES

CAPACITIVE HIGH VOLTAGE PULSE DIVIDERS IN OIL & AIR

High Voltage Square Pulse & Pulses,
Wave-shape Signal up to 150kVp, 300kVp, 500kVp in oil,
Voltage ratio 10000/1 in normal & custom designs available



CD150



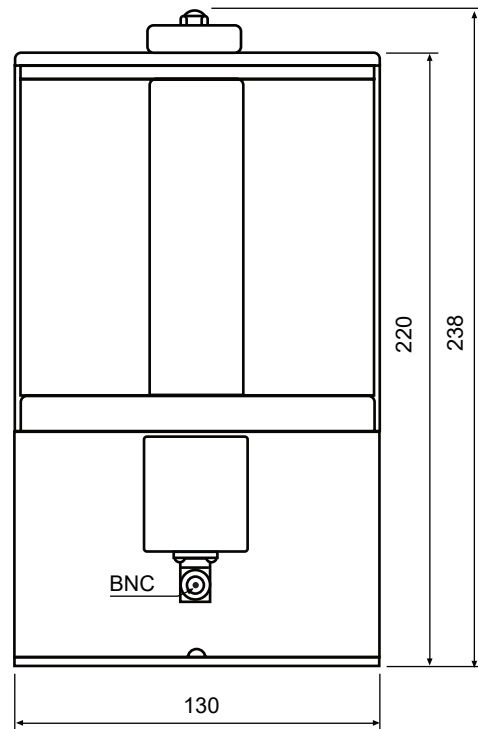
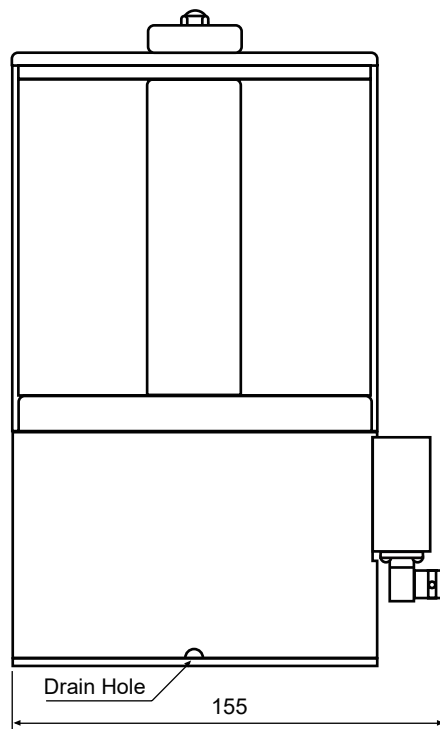
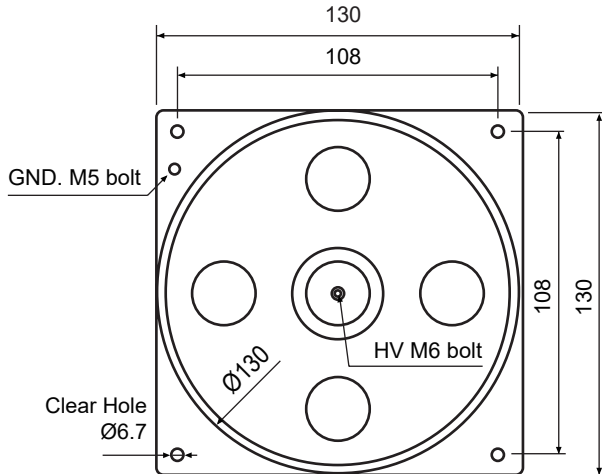
CD-SERIES

CAPACITIVE HIGH VOLTAGE PULSE DIVIDERS IN OIL & AIR

High Voltage Square Pulse & Pulses,
Wave-shape Signal up to 150kVp, 300kVp, 500kVp in oil,
Voltage ratio 10000/1 in normal & custom designs available



CD300



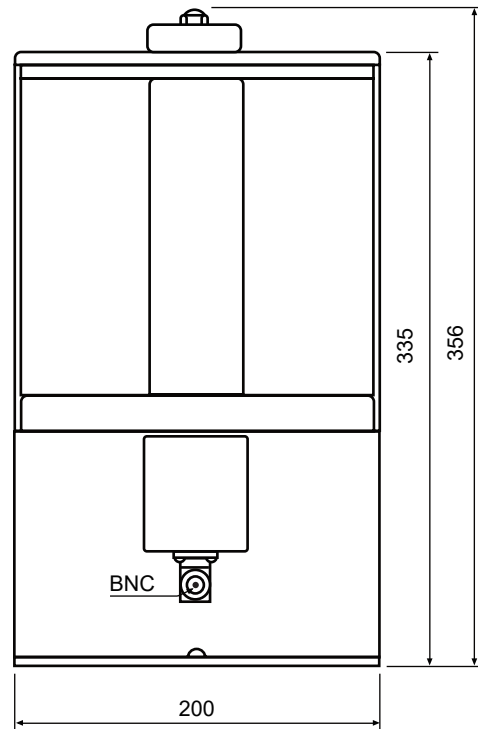
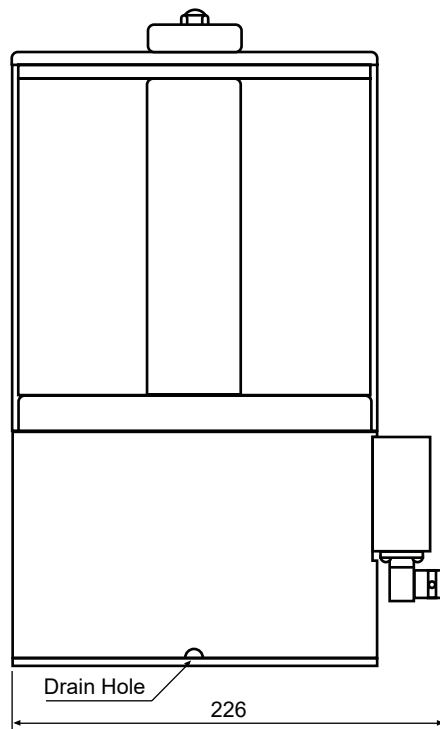
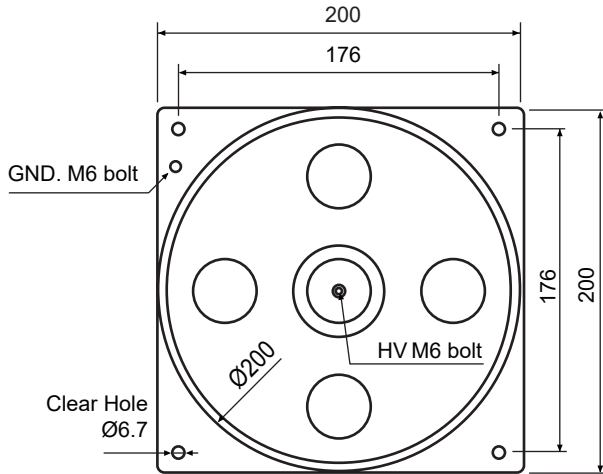
CD-SERIES

CAPACITIVE HIGH VOLTAGE PULSE DIVIDERS IN OIL & AIR

High Voltage Square Pulse & Pulses,
Wave-shape Signal up to 150kVp, 300kVp, 500kVp in oil,
Voltage ratio 10000/1 in normal & custom designs available



⚡ CD500



ALL INFORMATION ON THE FILE MAY CHANGE WITHOUT NOTICE

303 Hyundai I Valley, 149 Gongdanro, Gunpo City, Gyeonggido, Korea
VOICE. +82-31-429-6379 **FAX.** +82-31-429-9127
info@3RLab.com www.3RLab.com 3RLab,Inc.

RoHS
COMPLIANT

UPDATE 2022-10-17